

UNIVERSAL JOINT KITS CATALOG



NISTM

Contents

General Information	2
Applications	3
Design and Measurement Style	4
Lubricator Types (Notes)	5
General Cap Design.....	5
Nomenclature	6
Part Numbering System.....	6
Measuring Universal Joints	7
Installation and Maintenance	8
Lubrication	8
Methods of Retaining Universal Joint Kits	8
Various Design of Universal Joint Kits.....	9
Identification of Universal Joints	10
A. Identification by Size	10
B. Identification by Vehicle Model	10
Dimensions By Size	11
Dimensions By Vehicle Model.....	24
Dimensions – Wing Type Design	32
Interchange List.....	34

General Information



The NIS[®] Universal Joint business model, consists of development, design, manufacturing and marketing a product which represents, and is re-known for quality.

Catering to a market, consisting of automotive, mid range truck, 4WD (Wheel Drive) pleasure vehicle, to large-scale mining mobile fleets and construction equipment, universal joint products are operating within extreme parameters of environment and varying loads and speed.

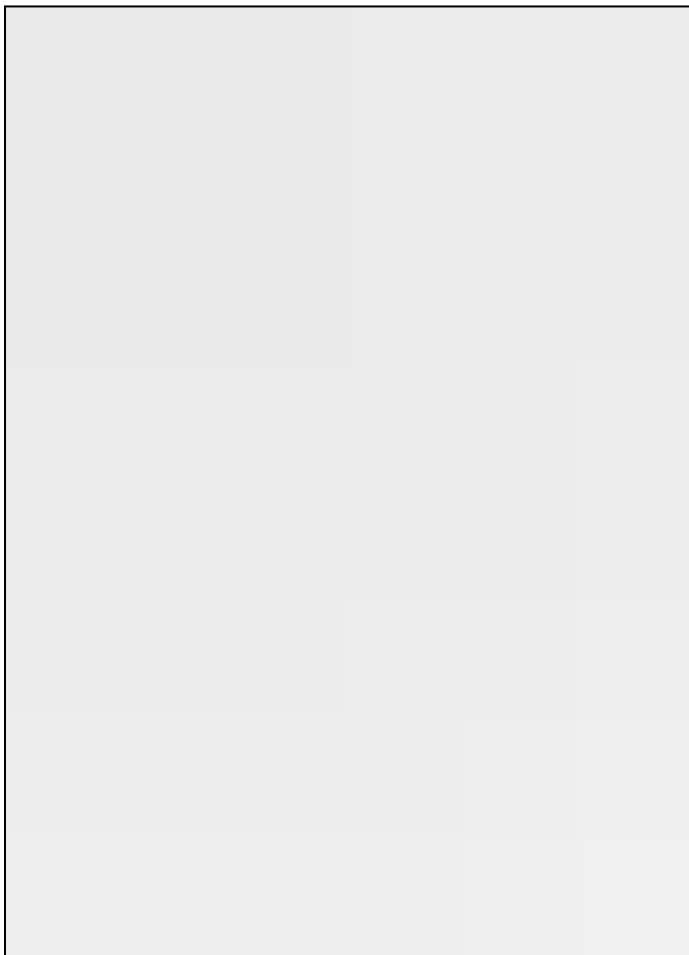
For this reason, NIS[®] has completed comprehensive design and calculation data, in selecting appropriate steel quality, machined surface finish, heat treatment process, needle roller selection and seal configuration.

Combined with exhaustive factory testing, the final product represents a market-leading component, which is able to deliver high quality, high performance, and extended life cycles.

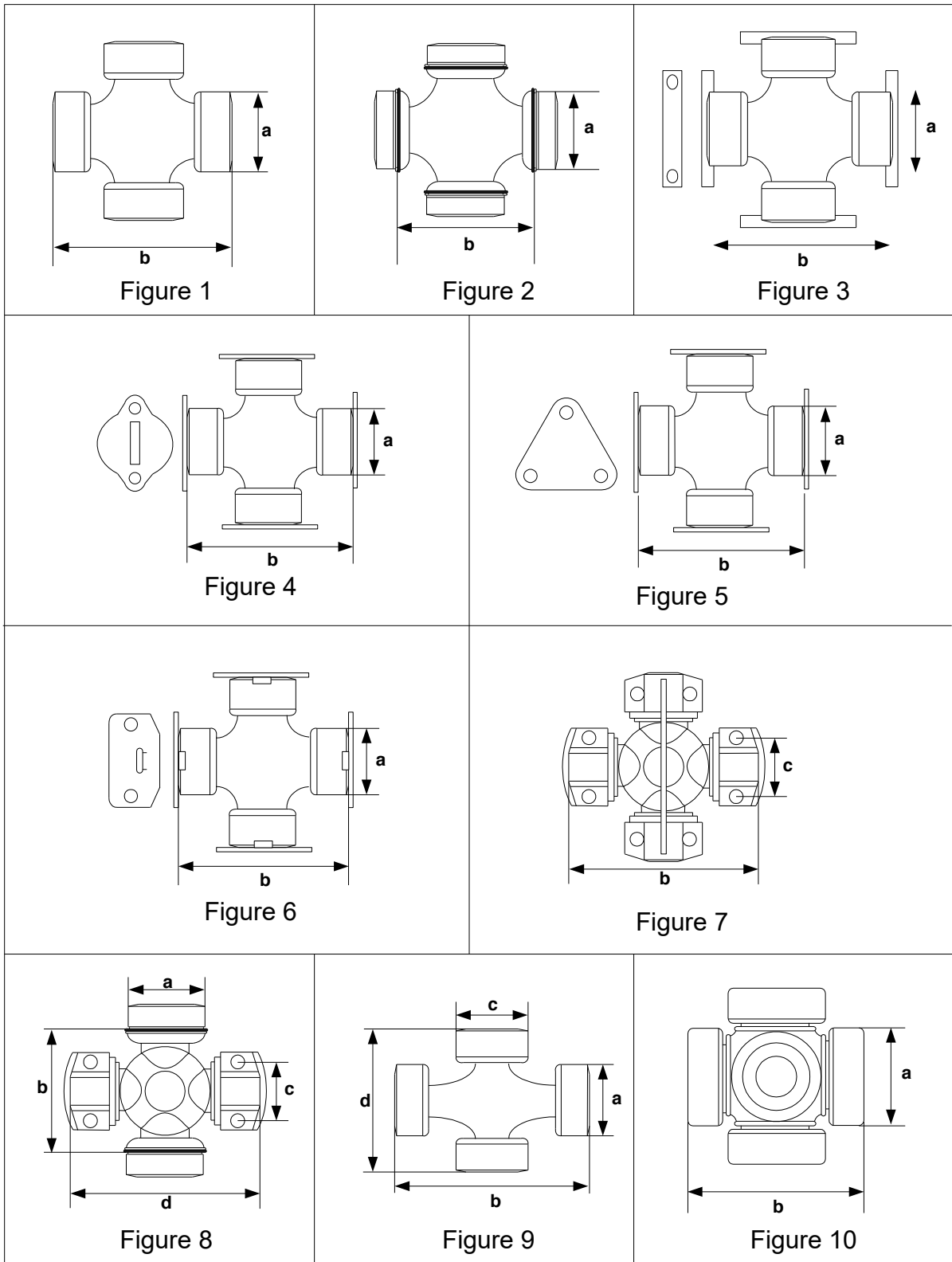
However, not to remain complacent, factory engineers are constantly reviewing processes and production criteria, in order to deliver optimum results. The range of product produced, is constantly being evaluated and extended to accommodate new market variations.

In all cases however, NIS[®] continues to challenge existing standards, and set new benchmarks within the industry.

Applications



Design and Measurement Style

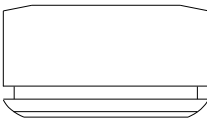
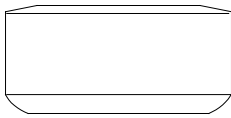
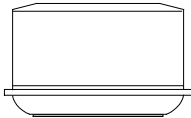
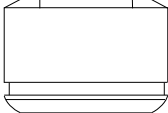
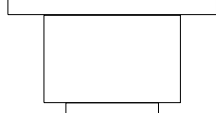


Lubricator Types (Notes)

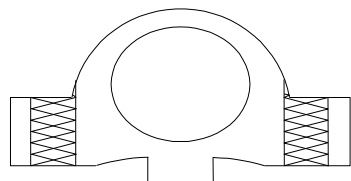
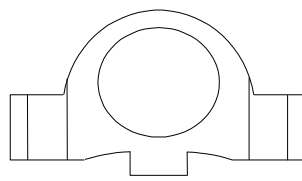
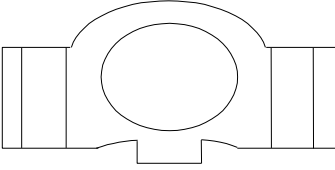
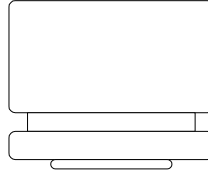
0: Lifetime lubrication	3: Angle lube fitting on center of cross
1: Regular lube fitting on side of cross	4: Regular lube fitting on center of cross
2: Regular lube fitting on end of bearing cup	5: Dual lube fitting, regular lube on side of cross and angle lube on center of cross

General Cap Design

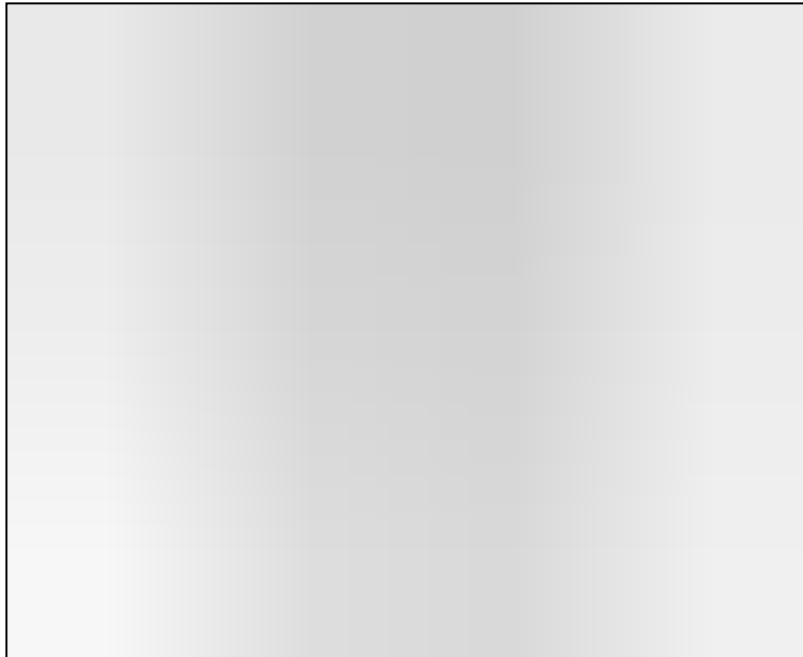
Non-Wing Type

 R1 - Grooved	 R2 - Plain	 R3 - Cap & Bolt
 R4 - Lock Plate	 R5 - Bearing Cap	

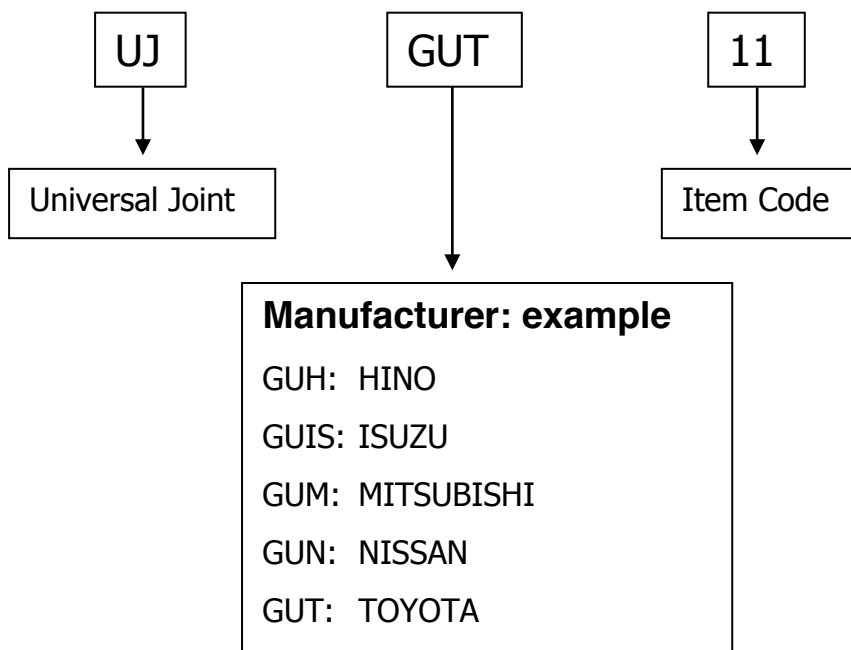
Wing Type

 LWT - Low Wing Threaded	 LWD - Low Wing Drilled
 HWD - High Wing Drilled	 RDG - Round Grooved

Nomenclature



Part Numbering System

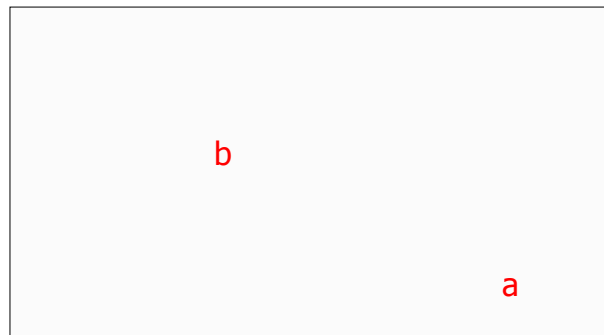
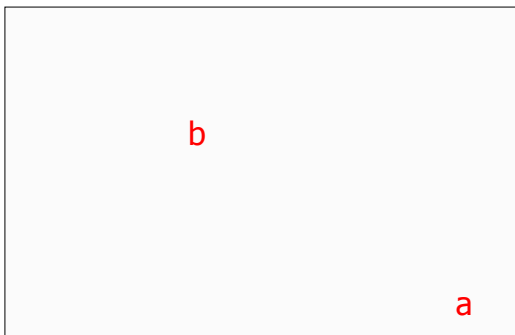


Measuring Universal Joints



STEPS:

1. Remove bearing caps
2. Remove excess grease from bottom of the bearing caps & trunnion
3. Remove seals from bearing caps or trunnion - Seals are removed, as they must be compressed for accurate measurements
4. Reinstall bearing caps on trunnions
5. Measure as follows:
 - Allow a tolerance of
 - +/- .005" for dimensions "b"
 - +/- .003" for all others



Installation and Maintenance

Lubrication

The following specifications are given as a guide reference only, and do not apply where vehicle or machinery manufacturers have prescribed recommended lubricants and lubrication interval schedule. In the absence of above, the following guidelines can apply.

Interval

Industrial – Every 100 hours or monthly (whichever earlier)

Automotive – 3 monthly or every 8000km

Lubricant

An NLG1 base grade of no. 2 consistency grade is recommended. For additional benefits, the grease may contain extreme pressure (E.P) additives for long life characteristics.

Method

Please ensure zerk (grease nipple) is thoroughly cleaned of old lubricant or foreign dirt particles. Otherwise risk of contamination entering lubrication port may result.

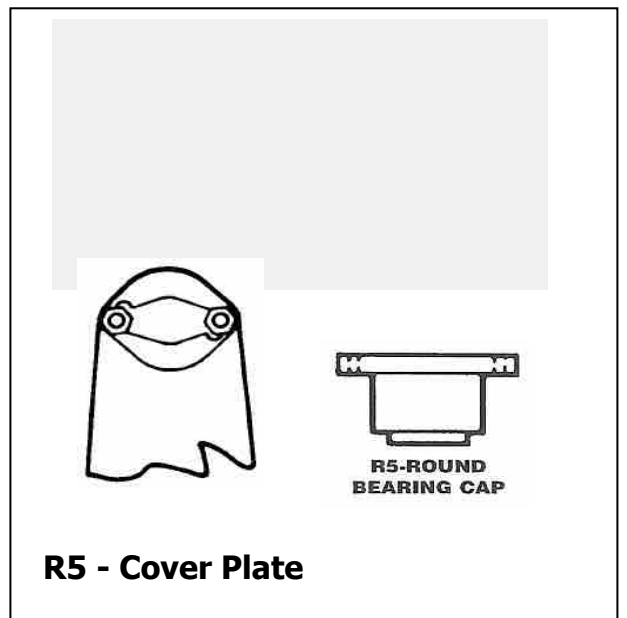
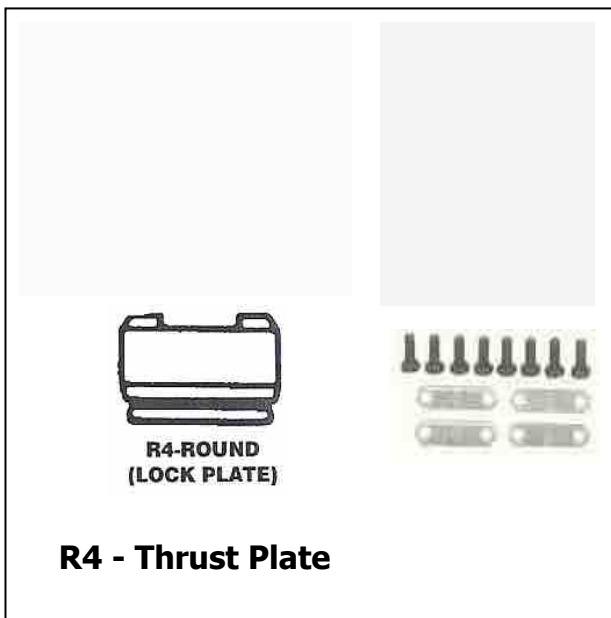
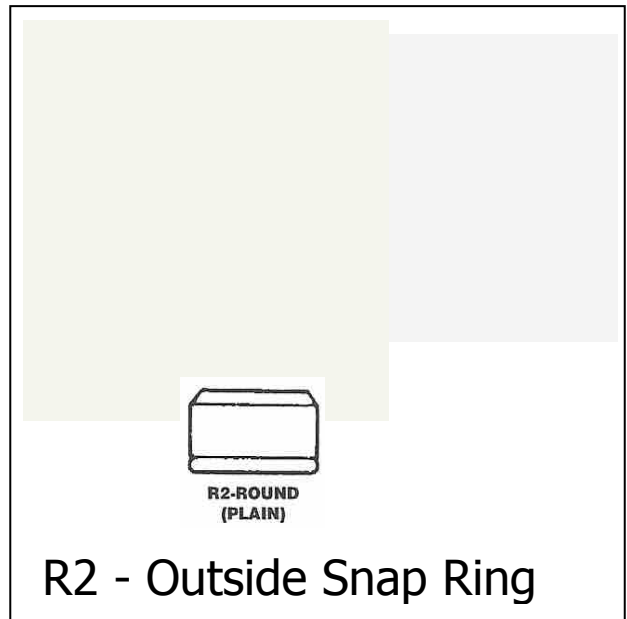
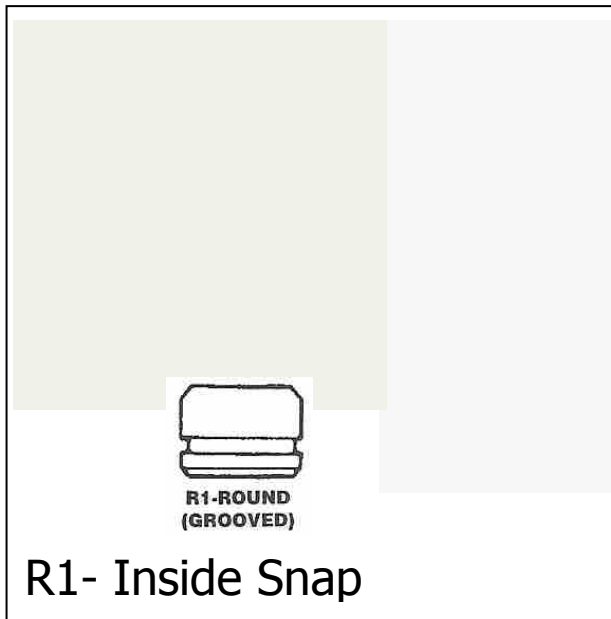
Quantity Applied

Grease should be applied until excess grease is visible at each of the bearing caps. Grease should be applied using manual grease gun, and not high-pressure lubrication equipment; otherwise risk of damaging bearing cap seals may occur.

Methods of Retaining Universal Joint Kits



Various Design of Universal Joint Kits



Identification of Universal Joints

A. Identification by Size

Step 1:

Determine the "figure" number by referring to page 4 on the physical appearances of the Universal Joint.

Step 2:

Measure the dimensions shown on the "figure" number.

Step 3:

Refer to the catalog on page 11 for figure 1 to page 23 for figure 10.

Step 4:

Determine the part number by matching the dimensions measured.

B. Identification by Vehicle Model

Step 1:

Determine the "figure" number by referring to page 4 on the physical appearances of the Universal Joint.

Step 2:

Measure the dimensions shown on the "figure" number.

Step 3:

Refer to page 24 to 27 for the vehicle model.

Step 4:

Determine part number by matching the dimensions measured.

Dimensions By Size

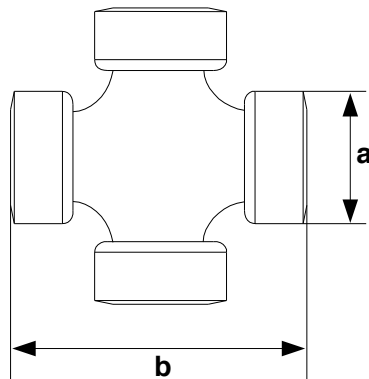


Figure 1

Part Number	a	b	Notes	Bearing Type	Description	Vehicles
GUN 49	18.00	47.00	0		OUTSIDE SNAP	NISSAN
GUA 1	18.00	47.00	3		OUTSIDE SNAP	AGRICULTURAL (EUROPEAN)
GU 9010	19.02	47.80	3		OUTSIDE SNAP	EUROPEAN VEHICLE & TRUCK
GU 300	19.04	51.95	3		OUTSIDE SNAP	EUROPEAN VEHICLE & TRUCK
GU 350	19.04	51.95	3		OUTSIDE SNAP	EUROPEAN VEHICLE & TRUCK
GUA 2	19.04	51.95	3		OUTSIDE SNAP	AGRICULTURAL (EUROPEAN)
GUT 11	20.00	57.00	2	R2-4	OUTSIDE SNAP	TOYOTA
GUDUMP 1	20.00	57.50	3		OUTSIDE SNAP	DUMP
GUD 81	20.02	54.80	2		OUTSIDE SNAP	DAIHATSU
GUD 86	20.02	54.80	2		OUTSIDE SNAP	DAIHATSU
GUMZ 2	20.02	54.80	2	R2-4	OUTSIDE SNAP	MAZDA
GUM 92	20.02	54.80	2		OUTSIDE SNAP	MITSUBISHI
GUIS 59	20.50	56.50	3		OUTSIDE SNAP	ISUZU
GUN 44	20.50	56.50	3		OUTSIDE SNAP	NISSAN
GUA 3	22.00	54.00	3		OUTSIDE SNAP	AGRICULTURAL (EUROPEAN)
GUA 4	22.00	54.80	3		OUTSIDE SNAP	AGRICULTURAL (EUROPEAN)
GU 1700L	22.00	55.60	0		OUTSIDE SNAP	EUROPEAN VEHICLE & TRUCK
GU 1700	22.00	55.60	3		OUTSIDE SNAP	EUROPEAN VEHICLE & TRUCK
GU 7800L	22.00	59.00	0		OUTSIDE SNAP	EUROPEAN VEHICLE & TRUCK
GU 7800	22.00	59.00	3		OUTSIDE SNAP	EUROPEAN VEHICLE & TRUCK
GUDUMP 3	22.00	62.00	3		OUTSIDE SNAP	DUMP
GUHO 3	22.00	65.00	0	R2-4	OUTSIDE SNAP	HONDA
GU 1650	22.03	58.80	2		OUTSIDE SNAP	EUROPEAN VEHICLE & TRUCK
GU 1660	22.03	58.80	2		OUTSIDE SNAP	EUROPEAN VEHICLE & TRUCK
GU 1600	23.00	58.20	3		OUTSIDE SNAP	EUROPEAN VEHICLE & TRUCK
GU 400	23.82	61.30	0		OUTSIDE SNAP	EUROPEAN VEHICLE & TRUCK
GU 500L	23.82	61.30	0		OUTSIDE SNAP	EUROPEAN VEHICLE & TRUCK
GU 600	23.82	61.30	0		OUTSIDE SNAP	EUROPEAN VEHICLE & TRUCK

Part Number	a	b	Notes	Bearing Type	Description	Vehicles
GUIS 51	23.82	61.30	1		OUTSIDE SNAP	ISUZU
GUIS 56	23.82	61.30	1		OUTSIDE SNAP	ISUZU
GUIS 61	23.82	61.30	1		OUTSIDE SNAP	ISUZU
GUN 26	23.82	61.30	1		OUTSIDE SNAP	NISSAN
GU 500	23.82	61.30	1		OUTSIDE SNAP	EUROPEAN VEHICLE & TRUCK
GU 510	23.82	61.30	1		OUTSIDE SNAP	EUROPEAN VEHICLE & TRUCK
GUKO 13	23.82	61.30	1			KOMATSU
GUA 5	23.82	61.30	3		OUTSIDE SNAP	AGRICULTURAL (EUROPEAN)
GU 1730	23.82	62.40	3		OUTSIDE SNAP	EUROPEAN VEHICLE & TRUCK
GUH 66	23.82	66.00	3	R2-4	OUTSIDE SNAP	HINO
GU 200L	24.00	63.30	0		OUTSIDE SNAP	EUROPEAN VEHICLE & TRUCK
GU 410	24.00	63.30	0		OUTSIDE SNAP	EUROPEAN VEHICLE & TRUCK
GUA 6	24.98	72.10	3		OUTSIDE SNAP	AGRICULTURAL (EUROPEAN)
GU 720	25.00	56.90	3		OUTSIDE SNAP	EUROPEAN VEHICLE & TRUCK
GU 730	25.00	56.90	3		OUTSIDE SNAP	EUROPEAN VEHICLE & TRUCK
GUM 81L	25.00	63.80	0		OUTSIDE SNAP	MITSUBISHI
GUS 7	25.00	63.80	0		OUTSIDE SNAP	SUZUKI
GUD 83	25.00	63.80	2		OUTSIDE SNAP	DAIHATSU
GUHO 2	25.00	63.80	2	R2-4	OUTSIDE SNAP	HONDA
GUMZ 1	25.00	63.80	2	R2-4	OUTSIDE SNAP	MAZDA
GUM 78	25.00	63.80	2	R2-4	OUTSIDE SNAP	MITSUBISHI
GUM 79	25.00	63.80	2	R2-4	OUTSIDE SNAP	MITSUBISHI
GUM 81	25.00	63.80	2		OUTSIDE SNAP	MITSUBISHI
GUM 88	25.00	76.80	0		OUTSIDE SNAP	MITSUBISHI
GUM 91	25.00	76.80	1	R2-4	PLATE	MITSUBISHI
GUDUMP 2	25.00	77.00	3		OUTSIDE SNAP	DUMP
GUN 36	25.00	77.60	0		OUTSIDE SNAP	NISSAN
GUM 76	25.00	77.80	1	R2-4	OUTSIDE SNAP	MITSUBISHI
GUM 84	26.00	68.00	2		OUTSIDE SNAP	MITSUBISHI
GU 7410L	26.00	69.80	0		OUTSIDE SNAP	EUROPEAN VEHICLE & TRUCK
GU 7410	26.00	69.80	3		OUTSIDE SNAP	EUROPEAN VEHICLE & TRUCK
GU 700	26.99	60.30	2		OUTSIDE SNAP	EUROPEAN VEHICLE & TRUCK
GU 1210L	26.99	61.95	0		OUTSIDE SNAP	EUROPEAN VEHICLE & TRUCK
GU 800	26.99	61.95	2		OUTSIDE SNAP	EUROPEAN VEHICLE & TRUCK
GU 1210	26.99	61.95	2		OUTSIDE SNAP	EUROPEAN VEHICLE & TRUCK
GU 1100L	26.99	74.60	0		OUTSIDE SNAP	EUROPEAN VEHICLE & TRUCK
GU 1100	26.99	74.60	1		OUTSIDE SNAP	EUROPEAN VEHICLE & TRUCK
GU 1000L	26.99	81.75	0		OUTSIDE SNAP	EUROPEAN VEHICLE & TRUCK
GU 1000	26.99	81.75	1		OUTSIDE SNAP	EUROPEAN VEHICLE & TRUCK
GUM 77	27.00	65.30	2	R2-4	OUTSIDE SNAP	MITSUBISHI
GUA 7	27.00	70.00	3		OUTSIDE SNAP	AGRICULTURAL (EUROPEAN)
GUA 8	27.00	74.30	3		OUTSIDE SNAP	AGRICULTURAL (EUROPEAN)
GUK 12	27.00	80.12	5		OUTSIDE SNAP	HYUNDAI

Part Number	a	b	Notes	Bearing Type	Description	Vehicles
GUIS 69	27.00	81.75	1		OUTSIDE SNAP	ISUZU
GUM 73	27.00	81.75	1		OUTSIDE SNAP	MITSUBISHI
GUN 47	27.00	81.75	1		OUTSIDE SNAP	NISSAN
GUN 48	27.00	81.80	1		OUTSIDE SNAP	NISSAN
GUT 25	27.00	81.80	1		OUTSIDE SNAP	TOYOTA
GUD 82	28.00	80.00	3	R2-4	OUTSIDE SNAP	DAIHATSU
GUD 84	28.00	80.00	3	R2-4	OUTSIDE SNAP	DAIHATSU
GUD 87	28.00	80.00	3		OUTSIDE SNAP	DAIHATSU
GUM 86	28.50	77.90	3	R2-4	OUTSIDE SNAP	MITSUBISHI
GUT 14	28.50	77.90	3	R2-4	OUTSIDE SNAP	TOYOTA
GUA 9	29.00	80.00	3		OUTSIDE SNAP	AGRICULTURAL (EUROPEAN)
GUM 87	30.00	78.10	3	R2-4	OUTSIDE SNAP	MITSUBISHI
GU 7420	30.00	81.70	3		OUTSIDE SNAP	EUROPEAN VEHICLE & TRUCK
GUA 10	30.00	81.70	3		OUTSIDE SNAP	AGRICULTURAL (EUROPEAN)
GU 2200L	30.18	92.05	0		OUTSIDE SNAP	EUROPEAN VEHICLE & TRUCK
GUN 30	30.18	92.05	1		OUTSIDE SNAP	NISSAN
GU 2200	30.18	92.05	1		OUTSIDE SNAP	EUROPEAN VEHICLE & TRUCK
GUKO 17	30.18	92.05	1			KOMATSU
GUA 12	30.18	92.05	3		OUTSIDE SNAP	AGRICULTURAL (EUROPEAN)
GU 2000L	30.18	106.30	0		OUTSIDE SNAP	EUROPEAN VEHICLE & TRUCK
GU 2050L	30.18	106.30	0		OUTSIDE SNAP	EUROPEAN VEHICLE & TRUCK
GU 2000	30.18	106.30	1		OUTSIDE SNAP	EUROPEAN VEHICLE & TRUCK
GU 2050	30.18	106.30	1		OUTSIDE SNAP	EUROPEAN VEHICLE & TRUCK
GUA 13	30.18	106.30	3		OUTSIDE SNAP	AGRICULTURAL (EUROPEAN)
GUA 11	30.20	80.00	3		OUTSIDE SNAP	AGRICULTURAL (EUROPEAN)
GUM 75	31.75	102.00	3	R2-4	OUTSIDE SNAP	MITSUBISHI
GUA 14	32.00	75.90	3		OUTSIDE SNAP	AGRICULTURAL (EUROPEAN)
GU 2010	32.00	106.30	1		OUTSIDE SNAP	EUROPEAN VEHICLE & TRUCK
GUIS 66	33.00	93.00	3	R2-4	OUTSIDE SNAP	ISUZU
GUA 16	34.00	106.58	3		OUTSIDE SNAP	AGRICULTURAL (EUROPEAN)
GUT 15	34.00	107.00	1	R2-4	OUTSIDE SNAP	TOYOTA
GU 2300	34.92	106.30	1		OUTSIDE SNAP	EUROPEAN VEHICLE & TRUCK
GUA 17	34.92	106.30	3		OUTSIDE SNAP	AGRICULTURAL (EUROPEAN)
GUA 19	34.92	106.50	3		OUTSIDE SNAP	AGRICULTURAL (EUROPEAN)
GU 1550	34.92	126.10	1		OUTSIDE SNAP	EUROPEAN VEHICLE & TRUCK
GU 7430	35.00	96.80	0		OUTSIDE SNAP	EUROPEAN VEHICLE & TRUCK
GUH 63	35.00	99.00	3	R2-4	OUTSIDE SNAP	HINO
GUIS 62	35.00	103.92	3	R2-4	OUTSIDE SNAP	ISUZU
GUN 32	35.50	119.00	4	R2-4	OUTSIDE SNAP	NISSAN
GUA 20	36.00	88.90	3		OUTSIDE SNAP	AGRICULTURAL (EUROPEAN)
GUM 72	36.00	104.00	3	R2-4	OUTSIDE SNAP	MITSUBISHI
GUH 65	36.00	110.30	1	R2-4	OUTSIDE SNAP	HINO
GUH 74	36.00	115.60	1	R2-4	OUTSIDE SNAP	HINO
GUM 82	38.00	104.00	3	R2-4	OUTSIDE SNAP	MITSUBISHI

Part Number	a	b	Notes	Bearing Type	Description	Vehicles
GU 7440	38.00	106.10	3		OUTSIDE SNAP	EUROPEAN VEHICLE & TRUCK
GUKO 16	38.95	109.40	3			KOMATSU
GU 3850	39.00	127.00	1		OUTSIDE SNAP	EUROPEAN VEHICLE & TRUCK
GU 3500L	39.69	115.95	0		OUTSIDE SNAP	EUROPEAN VEHICLE & TRUCK
GU 3500	39.69	115.95	1		OUTSIDE SNAP	EUROPEAN VEHICLE & TRUCK
GUA 18	39.69	115.95	3		OUTSIDE SNAP	AGRICULTURAL (EUROPEAN)
GUM 94	40.00	112.00	3		OUTSIDE SNAP	MINIBUS (EUROPEAN)
GUIS 64	40.00	115.00	3	R2-4	OUTSIDE SNAP	ISUZU
GUA 21	41.00	118.00	1		OUTSIDE SNAP	AGRICULTURAL (EUROPEAN)
GUIS 72	42.00	115.00	3	R2-4	OUTSIDE SNAP	ISUZU
GU 7460	44.00	124.85	5		OUTSIDE SNAP	EUROPEAN VEHICLE & TRUCK
GUM 97	44.00	131.00	3	R2-4	OUTSIDE SNAP	MINIBUS (EUROPEAN)
GU 3840	44.00	149.00	1		OUTSIDE SNAP	EUROPEAN VEHICLE & TRUCK
GU 3870	44.00	149.00	1		OUTSIDE SNAP	EUROPEAN VEHICLE & TRUCK
GU 7490	45.04	118.10	3		OUTSIDE SNAP	EUROPEAN VEHICLE & TRUCK
GU 7530	45.04	120.40	3		OUTSIDE SNAP	EUROPEAN VEHICLE & TRUCK
GU 7540	45.05	121.60	3		OUTSIDE SNAP	EUROPEAN VEHICLE & TRUCK
GU 8100	47.00	131.10	3		OUTSIDE SNAP	EUROPEAN VEHICLE & TRUCK
GU 8110	50.00	131.00	3		OUTSIDE SNAP	EUROPEAN VEHICLE & TRUCK
GU 7390	50.00	153.80	3		OUTSIDE SNAP	EUROPEAN VEHICLE & TRUCK
GU 3860	50.00	164.00	1		OUTSIDE SNAP	EUROPEAN VEHICLE & TRUCK
GU 3880	50.00	164.00	1		OUTSIDE SNAP	EUROPEAN VEHICLE & TRUCK
GU 7590	52.00	133.00	3		OUTSIDE SNAP	EUROPEAN VEHICLE & TRUCK
GU 7560	52.05	133.00	3		OUTSIDE SNAP	EUROPEAN VEHICLE & TRUCK
GU 7610	53.00	135.00	3		OUTSIDE SNAP	EUROPEAN VEHICLE & TRUCK
GU 8130	57.00	144.00	3		OUTSIDE SNAP	EUROPEAN VEHICLE & TRUCK
GU 7630	57.00	152.00	3		OUTSIDE SNAP	EUROPEAN VEHICLE & TRUCK

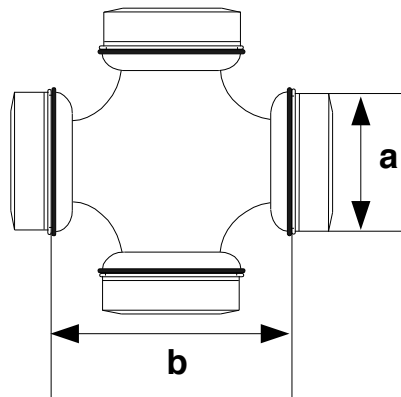


Figure 2

Part Number	a	b	Notes	Bearing Type	Description	Vehicles
GUN 28	20.01	38.00	2	R1-4	INSIDE SNAP	NISSAN
GUS 2	20.01	35.00	2		INSIDE SNAP	SUZUKI
GUM 95	22.01	40.00	0	R1-4	INSIDE SNAP	MITSUBISHI
GUD 88	22.50	37.60	2	R1-4	INSIDE SNAP	DAIHATSU
GUMZ 10	22.50	36.90	2	R1-4	INSIDE SNAP	MAZDA
GUSR 2	23.00	44.60	0		INSIDE SNAP	SUBARU
GU 1710	24.00	44.00	2		INSIDE SNAP	EUROPEAN VEHICLE & TRUCK
GU 7010	24.00	34.40	2		INSIDE SNAP	EUROPEAN VEHICLE & TRUCK
GU 7010L	24.00	34.40	0		INSIDE SNAP	EUROPEAN VEHICLE & TRUCK
GUMZ 7	25.00	43.60	2	R1-4	INSIDE SNAP	MAZDA
GUN 27	25.00	44.00	2	R1-4	INSIDE SNAP	NISSAN
GUN 34	25.00	56.00	1	R1-4	INSIDE SNAP	NISSAN
GUSR 4	25.00	40.00	2	R1-4	INSIDE SNAP	SUBARU
GUS 1	25.00	40.40	3		INSIDE SNAP	SUZUKI
GU 5950	25.40	39.60	2		INSIDE SNAP	EUROPEAN VEHICLE & TRUCK
GU 5950L	25.40	39.60	0		INSIDE SNAP	EUROPEAN VEHICLE & TRUCK
GU 6200	25.40	55.55	1		INSIDE SNAP	EUROPEAN VEHICLE & TRUCK
GU 7150	25.40	38.80	2		INSIDE SNAP	EUROPEAN VEHICLE & TRUCK
GUT 12	26.00	53.60	1	R1-4	INSIDE SNAP	TOYOTA
GUT 13	26.00	42.00	2	R1-4	INSIDE SNAP	TOYOTA
GU 7900	26.01	45.20	3		INSIDE SNAP	EUROPEAN VEHICLE & TRUCK
GUMZ 9	26.50	50.40	2	R1-4	INSIDE SNAP	MAZDA
GU 1020	26.99	55.59	0		INSIDE SNAP	EUROPEAN VEHICLE & TRUCK
GUN 46	27.00	46.10	0	R1-4		NISSAN
GUMZ 6	28.00	59.00	2	R1-4	INSIDE SNAP	MAZDA
GUN 29	28.00	56.10	1	R1-4	INSIDE SNAP	NISSAN
GUSR 3	28.00	53.10	1		INSIDE SNAP	SUBARU
GU 1720	28.00	48.00	1		INSIDE SNAP	EUROPEAN VEHICLE & TRUCK
GU 7000	28.00	42.00	3		INSIDE SNAP	EUROPEAN VEHICLE & TRUCK
GU 7280	28.00	49.00	1		INSIDE SNAP	EUROPEAN VEHICLE & TRUCK

Part Number	a	b	Notes	Bearing Type	Description	Vehicles
GU 7280/3	28.00	49.00	0		INSIDE SNAP	EUROPEAN VEHICLE & TRUCK
GUD 85	28.57	63.11	1	R1-4	INSIDE SNAP	DAIHATSU
GUT 27	28.57	49.00	3		INSIDE SNAP	TOYOTA
GUIS 52	29.00	53.00	1		INSIDE SNAP	ISUZU
GUIS 70	29.00	49.00	0		INSIDE SNAP	ISUZU
GUIS 71	29.00	49.00	2	R1-4	INSIDE SNAP	ISUZU
GUT 17	29.00	49.00	0	R4-4	INSIDE SNAP	TOYOTA
GUT 21	29.00	49.00	3	R1-4	INSIDE SNAP	TOYOTA
GUT 23	29.00	49.00	3	R1-4	INSIDE SNAP	TOYOTA
GU 7020	29.00	51.90	0		INSIDE SNAP	EUROPEAN VEHICLE & TRUCK
GU 7290	29.52	51.60	0		INSIDE SNAP	EUROPEAN VEHICLE & TRUCK
GUD 89	30.00	58.10	3		INSIDE SNAP	DAIHATSU
GUM 93	30.00	58.10	3	R1-4	INSIDE SNAP	MITSUBISHI
GU 2560	30.00	60.00	1		INSIDE SNAP	EUROPEAN VEHICLE & TRUCK
GU 2210	30.18	64.91	1		INSIDE SNAP	EUROPEAN VEHICLE & TRUCK
GU 1740	31.00	48.10	0		INSIDE SNAP	EUROPEAN VEHICLE & TRUCK
GU 2500	31.25	50.05	3		INSIDE SNAP	EUROPEAN VEHICLE & TRUCK
GU 2600	31.25	75.40	1		INSIDE SNAP	EUROPEAN VEHICLE & TRUCK
GUT 20	32.00	61.00	1	R1-4	INSIDE SNAP	TOYOTA
GUMZ 3	32.01	57.00	3	R1-4	INSIDE SNAP	MAZDA
GUN 35	32.02	91.80	3		INSIDE SNAP	NISSAN
GU 7200	34.00	51.30	3		INSIDE SNAP	EUROPEAN VEHICLE & TRUCK
GUA 15	34.00	56.30	3		INSIDE SNAP	AGRICULTURAL (EUROPEAN)
GUMZ 8	37.00	71.00	3	R1-4	INSIDE SNAP	MAZDA
GU 7300	38.00	56.00	3		INSIDE SNAP	EUROPEAN VEHICLE & TRUCK
GU 7470	42.00	66.00	3		INSIDE SNAP	EUROPEAN VEHICLE & TRUCK

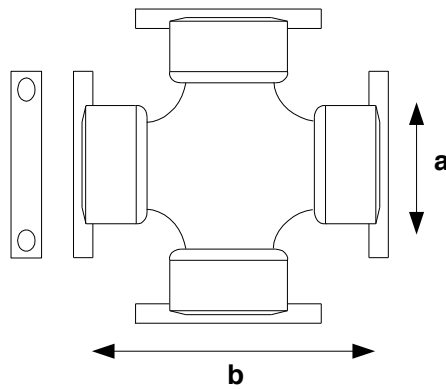


Figure 3

Part Number	a	b	Notes	Bearing Type	Description	Vehicles
GUH 69	20.00	57.00	3	R2-4	THRUST PLATE	HINO
GUN 31	32.00	107.00	4	R4-4	THRUST PLATE	NISSAN
GUIS 54	36.00	97.00	1	R2-4	THRUST PLATE	ISUZU
GUIS 58	36.00	97.00	1		THRUST PLATE	ISUZU
GUIS 55	42.00	125.00	3	R4-4	THRUST PLATE	ISUZU
GUN 41	43.00	135.90	3	R4-4	THRUST PLATE	NISSAN
GUM 71	44.00	129.00	3	R4-4	THRUST PLATE	MITSUBISHI
GUIS 65	45.98	136.00	3	R4-4	THRUST PLATE	ISUZU
GUM 80	46.00	142.00	3	R4-4	THRUST PLATE	MITSUBISHI
GUM 90	46.00	148.00	3	R4-4	THRUST PLATE	MITSUBISHI
GUH 68	47.00	144.00	3	R4-4	THRUST PLATE	HINO
GUH 70	47.00	138.00	3		THRUST PLATE	HINO
GUH 71	47.00	144.00	3	R4-4	THRUST PLATE	HINO
GUH 72	47.00	144.00	3	R4-4	THRUST PLATE	HINO
GUIS 57	47.98	145.00	3	R4-4	THRUST PLATE	ISUZU
GUH 73	50.00	165.00	3	R5-4	THRUST PLATE	HINO
GUIS 68	50.00	155.00	3		THRUST PLATE	ISUZU
GUM 83	52.00	153.85	3	R4-4	THRUST PLATE	MITSUBISHI
GUM 96	52.00	170.00	3		THRUST PLATE	MITSUBISHI
GUN 43	55.00	163.84	3	R4-4	THRUST PLATE	NISSAN
GUH 75	58.00	175.00	3		THRUST PLATE	HINO

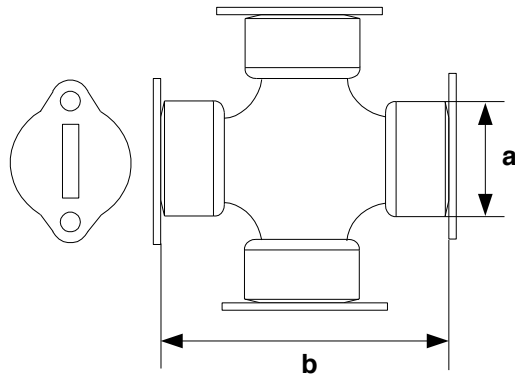


Figure 4

Part Number	a	b	Notes	Bearing Type	Description	Vehicles
GU 3000	39.69	115.95	1			EUROPEAN VEHICLE & TRUCK
GUN 33	43.00	128.00	3	R4-4	WELDED PLATE	NISSAN
GUH 61	47.00	124.00	3	R4-4	WELDED PLATE	HINO
GUH 62	47.00	138.00	3	R4-4	WELDED PLATE	HINO
GU 4000	47.62	134.90	1		WELDED PLATE	EUROPEAN VEHICLE & TRUCK
GU 4010	49.00	135.00	1		WELDED PLATE	EUROPEAN VEHICLE & TRUCK
GU 5010	49.00	154.96	1		WELDED PLATE	EUROPEAN VEHICLE & TRUCK
GU 5000	49.20	154.74	1		WELDED PLATE	EUROPEAN VEHICLE & TRUCK
GUH 64	50.00	159.00	1	R4-4	WELDED PLATE	HINO

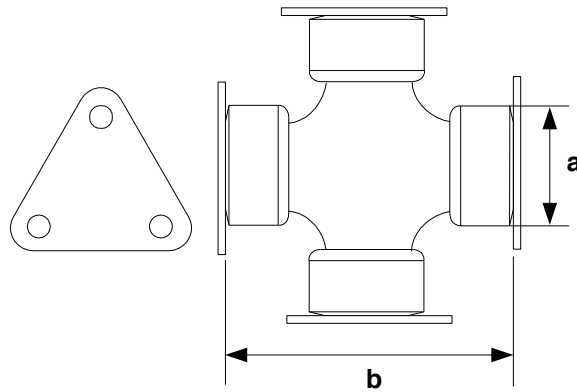


Figure 5

Part Number	a	b	Notes	Description	Vehicles
GU 3800	44.04	126.00	1	TRIANGLE PLATE	EUROPEAN VEHICLE & TRUCK
GU 3810	50.00	152.60	3	TRIANGLE PLATE	EUROPEAN VEHICLE & TRUCK
GU 3820	50.00	152.60	3	TRIANGLE PLATE	EUROPEAN VEHICLE & TRUCK

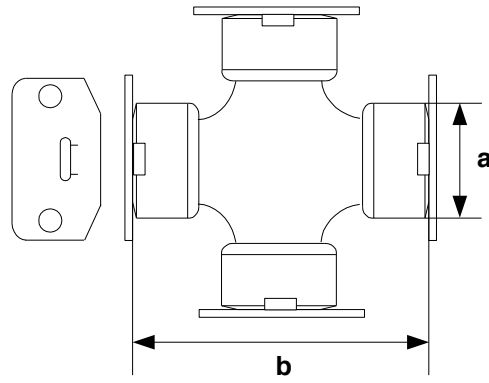


Figure 6

Part Number	a	b	Notes	Bearing Type	Description	Vehicles
GU 2770	29.03	74.85	1			EUROPEAN VEHICLE & TRUCK
GU 2800	29.03	104.50	1			EUROPEAN VEHICLE & TRUCK
GUT 16	40.00	118.00	1	R4-4	PLATE	TOYOTA
GUT 22	40.00	118.00	1	R4-4	PLATE	TOYOTA

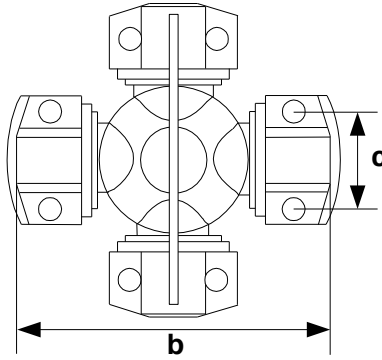


Figure 7

Part Number	b	c	Notes	Description	Vehicles
GU 6010	33.32	79.35	0	WING	EUROPEAN VEHICLE & TRUCK
GUKO 1	79.22	33.32	2	2LWT + 2LWD	KOMATSU
GUKO 2	79.22	33.32	2	4LWD	KOMATSU
GUKO 12	79.22	33.32	2		KOMATSU
GUTC 4	107.82	36.50	1	4C 4HWD	TCM
GUKO 4	107.82	36.50	1	4HWD	KOMATSU
GUKO 20	107.82	36.50	1	4LWT	KOMATSU
GUKO 25	107.82	36.50	1	4HWD	KOMATSU
GUTC 8	107.98	36.40	1	4HWD	TCM
GUTC 5	115.05	42.88	1	5C 4HWD	TCM
GUKO 5	115.05	42.88	1	4HWD	KOMATSU
GUKO 18	115.05	42.88	1	4HWD	KOMATSU
GUKO 19	115.05	42.88	1	4HWD	KOMATSU
GUKO 28	115.05	42.88	1	4HWD	KOMATSU
GUTC 1	129.00	45.00	1	4HWD	TCM
GUTC 3	129.00	45.00	1	4HWD	TCM
GUTC 2	134.00	46.00	1	4HWD	TCM
GUTC 6	140.45	42.88	1	6C 4HWD	TCM
GUKO 6	140.45	42.88	1	4HWD	KOMATSU
GUKO 21	140.45	42.88	1	4HWD	KOMATSU
GUKO 22	140.45	42.88	1	4HWD	KOMATSU
GUKO 26	140.45	42.88	1	4HWD	KOMATSU
GUH 67	148.38	49.22	1	WING - 7C 4LWT	HINO
GUIS 60	148.38	49.22	1	WING - 7C 4LWT	ISUZU
GUTC 7	148.38	49.22	1	7C 4HWD	TCM
GUKO 15	148.38	49.22	1	4HWD	KOMATSU
GUKO 27	148.38	49.22	1	4HWD	KOMATSU
GUKO 8	165.01	71.44	1	4HWD	KOMATSU
GUIS 67	174.00	56.00	3	WING - 4LWT	ISUZU
GUKO 14	208.00	50.10	2		KOMATSU

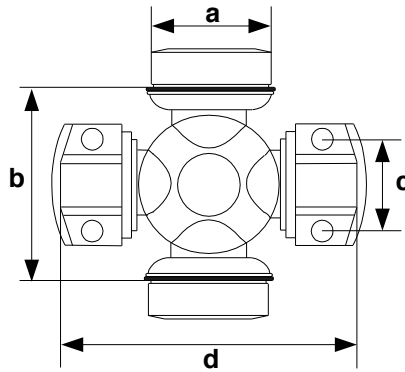


Figure 8

Part Number	a	b	c	d	Notes	Description	Vehicles
GU 7100	25.40	33.00	65.00	43.60	2		EUROPEAN VEHICLE & TRUCK
GU 7100L	25.40	33.00	65.00	43.60	0		EUROPEAN VEHICLE & TRUCK
GU 5960	25.40	33.34	65.00	43.60	2		EUROPEAN VEHICLE & TRUCK
GU 5970	25.40	33.34	72.50	43.60	2		EUROPEAN VEHICLE & TRUCK
GU 5970L	25.40	33.34	72.50	43.60	0		EUROPEAN VEHICLE & TRUCK
GU 6100	25.40	33.34	79.28	59.55	1		EUROPEAN VEHICLE & TRUCK
GUT 26	28.57	107.82	36.50	82.54	1	WING - 4C 2HWD + 2RDG	TOYOTA
GUKO 30	32.00	83.89	42.88	115.05	1	2HWD + 2RDG	KOMATSU
GUKO 29	33.33	109.70	42.88	140.45	1	2HWD + 2RDG	KOMATSU
GUKO 9	35.00	148.40	50.00	185.00	2	2HWD + 2RDG	KOMATSU
GUKO 7	40.00	169.20	50.10	208.00	2	2HWD + 2RDG	KOMATSU

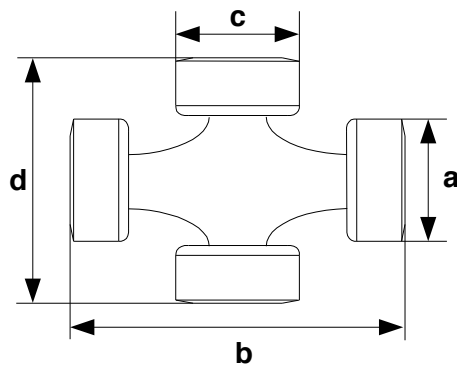


Figure 9

Part Number	a	b	c	d	Notes	Description	Vehicles
GUA 24	22.00	77.00	23.82	61.20	3	CONVERSION TYPE	AGRICULTURAL (EUROPEAN)
GUA 22	23.82	91.00	27.00	74.60	3	CONVERSION TYPE	AGRICULTURAL (EUROPEAN)
GUA 23	27.00	94.00	32.00	76.00	3	CONVERSION TYPE	AGRICULTURAL (EUROPEAN)

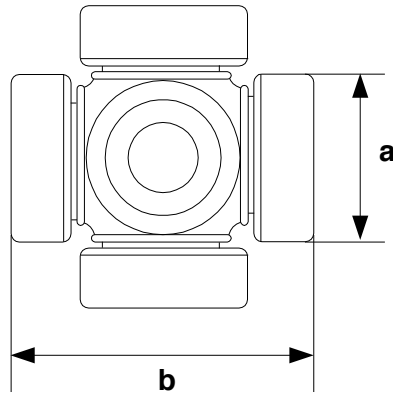


Figure 10

Part Number	a	b	Notes	Bearing Type	Description	Vehicles
ST 1538	15.05	38.00	0		STAKED TYPE	STEERING JOINT
ST 1539	15.05	39.00	0		STAKED TYPE	STEERING JOINT
ST 1540	15.05	40.00	0		STAKED TYPE	STEERING JOINT
ST 1638	16.05	38.00	0		STAKED TYPE	STEERING JOINT
ST 1639	16.05	39.00	0		STAKED TYPE	STEERING JOINT
ST 1640	16.05	40.00	0		STAKED TYPE	STEERING JOINT
ST 1948	19.06	48.00	0		STAKED TYPE	STEERING JOINT
GUN 45	20.06	52.80	0	R2-4	STAKED TYPE	NISSAN
GUS 6	20.06	58.90	0	R2-4	STAKED TYPE	SUZUKI
GUIS 63	22.06	61.70	0	R2-4	STAKED TYPE	ISUZU
GUMZ 11	22.06	61.70	0	R2-4	STAKED TYPE	MAZDA
GUM 85	22.06	64.50	0		STAKED TYPE	MITSUBISHI
GUM 89	22.06	67.00	0		STAKED TYPE	MITSUBISHI
GUT 24	22.06	57.50	0	R2-4	STAKED TYPE	TOYOTA
GU 1760	22.06	67.00	0		STAKED TYPE	EUROPEAN VEHICLE & TRUCK
GU 1770	22.06	64.00	0		STAKED TYPE	EUROPEAN VEHICLE & TRUCK
GUMZ 12	24.06	71.40	0		STAKED TYPE	MAZDA
GU 297	24.06	78.40	0		STAKED TYPE	EUROPEAN VEHICLE & TRUCK
GU 1670	24.06	62.40	0		STAKED TYPE	EUROPEAN VEHICLE & TRUCK
GU 2970	24.06	78.40	0		STAKED TYPE	EUROPEAN VEHICLE & TRUCK
GU 7280/4	24.06	74.40	0		STAKED TYPE	EUROPEAN VEHICLE & TRUCK

Dimensions By Vehicle Model

Part Number	Figure No.	a	b	c	d	Notes	Bearing Type	Description	Spicer Part Number
DAIHATSU									
GUD 81	1	20.02	54.80			2		OUTSIDE SNAP	
GUD 82	1	28.00	80.00			3	R2-4	OUTSIDE SNAP	K5-A522
GUD 83	1	25.00	63.80			2		OUTSIDE SNAP	
GUD 84	1	28.00	80.00			3	R2-4	OUTSIDE SNAP	K5-A522
GUD 85	2	28.57	63.11			1	R1-4	INSIDE SNAP	RUJ-2505
GUD 86	1	20.02	54.80			2		OUTSIDE SNAP	
GUD 87	1	28.00	80.00			3		OUTSIDE SNAP	
GUD 88	2	22.50	37.60			2	R1-4	INSIDE SNAP	RUJ-1503
GUD 89	2	30.00	58.10			3		INSIDE SNAP	
DUMP									
GUDUMP 1	1	20.00	57.50			3		OUTSIDE SNAP	
GUDUMP 2	1	25.00	77.00			3		OUTSIDE SNAP	
GUDUMP 3	1	22.00	62.00			3		OUTSIDE SNAP	
HINO									
GUH 61	4	47.00	124.00			3	R4-4	WELDED PLATE	K5-A579
GUH 62	4	47.00	138.00			3	R4-4	WELDED PLATE	K5-A580
GUH 63	1	35.00	99.00			3	R2-4	OUTSIDE SNAP	K5-A566
GUH 64	4	50.00	159.00			1	R4-4	WELDED PLATE	K5-A583
GUH 65	1	36.00	110.30			1	R2-4	OUTSIDE SNAP	K5-A571
GUH 66	1	23.82	66.00			3	R2-4	OUTSIDE SNAP	K5-A674
GUH 67	7		148.38	49.22		1		WING - 7C 4LWT	
GUH 68	3	47.00	144.00			3	R4-4	THRUST PLATE	K5-A581
GUH 69	3	20.00	57.00			3	R2-4	THRUST PLATE	K5-A549
GUH 70	3	47.00	138.00			3		THRUST PLATE	
GUH 71	3	47.00	144.00			3	R4-4	THRUST PLATE	K5-A581
GUH 72	3	47.00	144.00			3	R4-4	THRUST PLATE	K5-A581
GUH 73	3	50.00	165.00			3	R5-4	THRUST PLATE	K5-A569
GUH 74	1	36.00	115.60			1	R2-4	OUTSIDE SNAP	K5-A660
GUH 75	3	58.00	175.00			3		THRUST PLATE	
HONDA									
GUHO 2	1	25.00	63.80			2	R2-4	OUTSIDE SNAP	K5-A557
GUHO 3	1	22.00	65.00			0	R2-4	OUTSIDE SNAP	K5-A554
HYUNDAI									
GUK 12	1	27.00	80.12			5		OUTSIDE SNAP	

Part Number	Figure No.	a	b	c	d	Notes	Bearing Type	Description	Spicer Part Number
ISUZU									
GUIS 51	1	23.82	61.30			1		OUTSIDE SNAP	
GUIS 52	2	29.00	53.00			1		INSIDE SNAP	
GUIS 54	3	36.00	97.00			1	R2-4	THRUST PLATE	K5-A523
GUIS 55	3	42.00	125.00			3	R4-4	THRUST PLATE	K5-A574
GUIS 56	1	23.82	61.30			1		OUTSIDE SNAP	
GUIS 57	3	47.98	145.00			3	R4-4	THRUST PLATE	K5-A582
GUIS 58	3	36.00	97.00			1		THRUST PLATE	
GUIS 59	1	20.50	56.50			3		OUTSIDE SNAP	
GUIS 60	7		148.38	49.22		1		WING - 7C 4LWT	
GUIS 61	1	23.82	61.30			1		OUTSIDE SNAP	
GUIS 62	1	35.00	103.92			3	R2-4	OUTSIDE SNAP	K5-A567
GUIS 63	10	22.06	61.70			0	R2-4	STAKED TYPE	K5-A653
GUIS 64	1	40.00	115.00			3	R2-4	OUTSIDE SNAP	K5-A639
GUIS 65	3	45.98	136.00			3	R4-4	THRUST PLATE	K5-A577
GUIS 66	1	33.00	93.00			3	R2-4	OUTSIDE SNAP	K5-A679
GUIS 67	7		174.00	56.00		3		WING - 4LWT	114-8209
GUIS 68	3	50.00	155.00			3		THRUST PLATE	
GUIS 69	1	27.00	81.75			1		OUTSIDE SNAP	
GUIS 70	2	29.00	49.00			0		INSIDE SNAP	
GUIS 71	2	29.00	49.00			2	R1-4	INSIDE SNAP	RUJ-2033
GUIS 72	1	42.00	115.00			3	R2-4	OUTSIDE SNAP	K5-A753
KOMATSU									
GUKO 1	7		79.22	33.32		2	2LWT + 2 LWD		
GUKO 2	7		79.22	33.32		2	4LWD		
GUKO 3			79.22	33.32				YOKE ASSY	
GUKO 4	7		107.82	36.50		1	4HWD		
GUKO 5	7		115.05	42.88		1	4HWD		
GUKO 6	7		140.45	42.88		1	4HWD		
GUKO 7	8	40.00	208.00	50.10	169.20	2	2HWD + 2RDG		
GUKO 8	7		165.01	71.44		1	4HWD		
GUKO 9	8	35.00	148.40	50.00	185.00	2	2HWD + 2RDG		
GUKO 10		35.00	148.40	50.00	185.00			YOKE ASSY	
GUKO 11		40.00	169.20	50.10	208.00			YOKE ASSY	
GUKO 12	7		79.22	33.32		2			
GUKO 13	1	23.82	61.30			1			
GUKO 14	7		208.00	50.10		2			
GUKO 15	7		148.38	49.22		1	4HWD		
GUKO 16	1	38.95	109.40			3			
GUKO 17	1	30.18	92.05			1			
GUKO 18	7		115.05	42.88		1	4HWD		
GUKO 19	7		115.05	42.88		1	4HWD		

Part Number	Figure No.	a	b	c	d	Notes	Bearing Type	Description	Spicer Part Number
KOMATSU									
GUKO 20	7		107.82	36.50		1	4LWT		
GUKO 21	7		140.45	42.88		1	4HWD		
GUKO 22	7		140.45	42.88		1	4HWD		
GUKO 25	7		107.82	36.50		1	4HWD		
GUKO 26	7		140.45	42.88		1	4HWD		
GUKO 27	7		148.38	49.22		1	4HWD		
GUKO 28	7		115.05	42.88		1	4HWD		
GUKO 29	8	33.33	109.70	42.88	140.45	1	2HWD + 2RDG		
GUKO 30	8	32.00	83.89	42.88	115.05	1	2HWD + 2RDG		
MAZDA									
GUMZ 1	1	25.00	63.80			2	R2-4	OUTSIDE SNAP	K5-A556
GUMZ 2	1	20.02	54.80			2	R2-4	OUTSIDE SNAP	K5-A510
GUMZ 3	2	32.01	57.00			3	R1-4	INSIDE SNAP	RUJ-3003
GUMZ 6	2	28.00	59.00			2	R1-4	INSIDE SNAP	RUJ-2023
GUMZ 7	2	25.00	43.60			2	R1-4	INSIDE SNAP	RUJ-1784
GUMZ 8	2	37.00	71.00			3	R1-4	INSIDE SNAP	RUJ-4009
GUMZ 9	2	26.50	50.40			2	R1-4	INSIDE SNAP	RUJ-2049
GUMZ 10	2	22.50	36.90			2	R1-4	INSIDE SNAP	RUJ-1500
GUMZ 11	10	22.06	61.70			0	R2-4	STAKED TYPE	K5-A653
GUMZ 12	10	24.06	71.40			0		STAKED TYPE	
mitsubishi									
GUM 71	3	44.00	129.00			3	R4-4	THRUST PLATE	K5-A576
GUM 72	1	36.00	104.00			3	R2-4	OUTSIDE SNAP	K5-A569
GUM 73	1	27.00	81.75			1		OUTSIDE SNAP	
GUM 75	1	31.75	102.00			3	R2-4	OUTSIDE SNAP	K5-A563
GUM 76	1	25.00	77.80			1	R2-4	OUTSIDE SNAP	K5-A559
GUM 77	1	27.00	65.30			2	R2-4	OUTSIDE SNAP	K5-A561
GUM 78	1	25.00	63.80			2	R2-4	OUTSIDE SNAP	K5-A556
GUM 79	1	25.00	63.80			2	R2-4	OUTSIDE SNAP	K5-A556
GUM 80	3	46.00	142.00			3	R4-4	THRUST PLATE	K5-A578
GUM 81	1	25.00	63.80			2		OUTSIDE SNAP	
GUM 81L	1	25.00	63.80			0		OUTSIDE SNAP	
GUM 82	1	38.00	104.00			3	R2-4	OUTSIDE SNAP	K5-A572
GUM 83	3	52.00	153.85			3	R4-4	THRUST PLATE	K5-A584
GUM 84	1	26.00	68.00			2		OUTSIDE SNAP	
GUM 85	10	22.06	64.50			0		STAKED TYPE	
GUM 86	1	28.50	77.90			3	R2-4	OUTSIDE SNAP	K5-A562
GUM 87	1	30.00	78.10			3	R2-4	OUTSIDE SNAP	K5-A585
GUM 88	1	25.00	76.80			0		OUTSIDE SNAP	
GUM 89	10	22.06	67.00			0		STAKED TYPE	

Part Number	Figure No.	a	b	c	d	Notes	Bearing Type	Description	Spicer Part Number
MITSUBISHI									
GUM 90	3	46.00	148.00			3	R4-4	THRUST PLATE	K5-A586
GUM 91	1	25.00	76.80			1	R2-4	PLATE	RUJ-2045
GUM 92	1	20.02	54.80			2		OUTSIDE SNAP	
GUM 93	2	30.00	58.10			3	R1-4	INSIDE SNAP	RUJ-3006
GUM 94	1	40.00	112.00			3		OUTSIDE SNAP	
GUM 95	2	22.01	40.00			0	R1-4	INSIDE SNAP	RUJ-1501
GUM 96	3	52.00	170.00			3		THRUST PLATE	
GUM 97	1	44.00	131.00			3	R2-4	OUTSIDE SNAP	K5-A755
NISSAN									
GUN 26	1	23.82	61.30			1		OUTSIDE SNAP	
GUN 27	2	25.00	44.00			2	R1-4	INSIDE SNAP	RUJ-1781
GUN 28	2	20.01	38.00			2	R1-4	INSIDE SNAP	RUJ-1780
GUN 29	2	28.00	56.10			1	R1-4	INSIDE SNAP	RUJ-2028
GUN 30	1	30.18	92.05			1		OUTSIDE SNAP	
GUN 31	3	32.00	107.00			4	R4-4	THRUST PLATE	K5-A564
GUN 32	1	35.50	119.00			4	R2-4	OUTSIDE SNAP	K5-A568
GUN 33	4	43.00	128.00			3	R4-4	WELDED PLATE	K5-A575
GUN 34	2	25.00	56.00			1	R1-4	INSIDE SNAP	RUJ-2040
GUN 35	2	32.02	91.80			3		INSIDE SNAP	
GUN 36	1	25.00	77.60			0		OUTSIDE SNAP	
GUN 41	3	43.00	135.90			3	R4-4	THRUST PLATE	K5-A547
GUN 43	3	55.00	163.84			3	R4-4	THRUST PLATE	K5-A548
GUN 44	1	20.50	56.50			3		OUTSIDE SNAP	
GUN 45	10	20.06	52.80			0	R2-4	STAKED TYPE	K5-A648
GUN 46	2	27.00	46.10			0	R1-4		RUJ-1700
GUN 47	1	27.00	81.75			1		OUTSIDE SNAP	
GUN 48	1	27.00	81.80			1		OUTSIDE SNAP	
GUN 49	1	18.00	47.00			0		OUTSIDE SNAP	
SUBARU									
GUSR 2	2	23.00	44.60			0		INSIDE SNAP	
GUSR 3	2	28.00	53.10			1		INSIDE SNAP	
GUSR 4	2	25.00	40.00			2	R1-4	INSIDE SNAP	RUJ-1796
SUZUKI									
GUS 1	2	25.00	40.40			3		INSIDE SNAP	
GUS 2	2	20.01	35.00			2		INSIDE SNAP	
GUS 6	10	20.06	58.90			0	R2-4	STAKED TYPE	K5-A649
GUS 7	1	25.00	63.80			0		OUTSIDE SNAP	

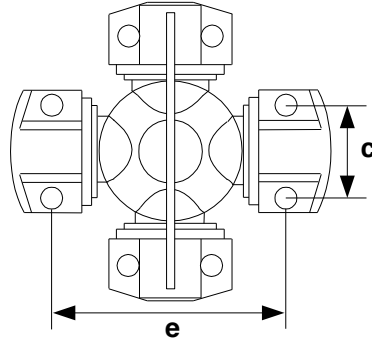
Part Number	Figure No.	a	b	c	d	Notes	Bearing Type	Description	Spicer Part Number
TOYOTA									
GUT 11	1	20.00	57.00			2	R2-4	OUTSIDE SNAP	K5-A517
GUT 12	2	26.00	53.60			1	R1-4	INSIDE SNAP	RUJ-2016
GUT 13	2	26.00	42.00			2	R1-4	INSIDE SNAP	RUJ-1776
GUT 14	1	28.50	77.90			3	R2-4	OUTSIDE SNAP	K5-A519
GUT 15	1	34.00	107.00			1	R2-4	OUTSIDE SNAP	K5-A682
GUT 16	6	40.00	118.00			1	R4-4	PLATE	K5-A573
GUT 17	2	29.00	49.00			0	R4-4	INSIDE SNAP	RUJ-2100
GUT 20	2	32.00	61.00			1	R1-4	INSIDE SNAP	RUJ-2041
GUT 21	2	29.00	49.00			3	R1-4	INSIDE SNAP	RUJ-2109
GUT 22	6	40.00	118.00			1	R4-4	PLATE	K5-A573
GUT 23	2	29.00	49.00			3	R1-4	INSIDE SNAP	RUJ-2109
GUT 24	10	22.06	57.50			0	R2-4	STAKED TYPE	K5-A654
GUT 25	1	27.00	81.80			1		OUTSIDE SNAP	
GUT 26	8	28.57	82.54	36.50	107.82	1		WING - 4C 2HWD + 2RD	
GUT 27	2	28.57	49.00			3		INSIDE SNAP	
AGRICULTURAL (EUROPEAN)									
GUA 1	1	18.00	47.00			3		OUTSIDE SNAP	
GUA 2	1	19.04	51.95			3		OUTSIDE SNAP	
GUA 3	1	22.00	54.00			3		OUTSIDE SNAP	
GUA 4	1	22.00	54.80			3		OUTSIDE SNAP	
GUA 5	1	23.82	61.30			3		OUTSIDE SNAP	
GUA 6	1	24.98	72.10			3		OUTSIDE SNAP	
GUA 7	1	27.00	70.00			3		OUTSIDE SNAP	
GUA 8	1	27.00	74.30			3		OUTSIDE SNAP	
GUA 9	1	29.00	80.00			3		OUTSIDE SNAP	
GUA 10	1	30.00	81.70			3		OUTSIDE SNAP	
GUA 11	1	30.20	80.00			3		OUTSIDE SNAP	
GUA 12	1	30.18	92.05			3		OUTSIDE SNAP	
GUA 13	1	30.18	106.30			3		OUTSIDE SNAP	
GUA 14	1	32.00	75.90			3		OUTSIDE SNAP	
GUA 15	2	34.00	56.30			3		INSIDE SNAP	
GUA 16	1	34.00	106.58			3		OUTSIDE SNAP	
GUA 17	1	34.92	106.30			3		OUTSIDE SNAP	
GUA 18	1	39.69	115.95			3		OUTSIDE SNAP	
GUA 19	1	34.92	106.50			3		OUTSIDE SNAP	
GUA 20	1	36.00	88.90			3		OUTSIDE SNAP	
GUA 21	1	41.00	118.00			1		OUTSIDE SNAP	
GUA 22	9	23.82	91.00	27.00	74.60	3		CONVERSION TYPE	
GUA 23	9	27.00	94.00	32.00	76.00	3		CONVERSION TYPE	
GUA 24	9	22.00	77.00	23.82	61.20	3		CONVERSION TYPE	
Part Number	Figure No.	a	b	c	d	Notes	Bearing Type	Description	Spicer Part Number

EUROPEAN VEHICLE & TRUCK									
GU 200L	1	24.00	63.30			0		OUTSIDE SNAP	
GU 297	10	24.06	78.40			0		STAKED TYPE	
GU 300	1	19.04	51.95			3		OUTSIDE SNAP	
GU 350	1	19.04	51.95			3		OUTSIDE SNAP	
GU 400	1	23.82	61.30			0		OUTSIDE SNAP	
GU 410	1	24.00	63.30			0		OUTSIDE SNAP	
GU 500	1	23.82	61.30			1		OUTSIDE SNAP	
GU 500L	1	23.82	61.30			0		OUTSIDE SNAP	
GU 510	1	23.82	61.30			1		OUTSIDE SNAP	
GU 600	1	23.82	61.30			0		OUTSIDE SNAP	
GU 700	1	26.99	60.30			2		OUTSIDE SNAP	
GU 720	1	25.00	56.90			3		OUTSIDE SNAP	
GU 730	1	25.00	56.90			3		OUTSIDE SNAP	
GU 800	1	26.99	61.95			2		OUTSIDE SNAP	
GU 1000	1	26.99	81.75			1		OUTSIDE SNAP	
GU 1000L	1	26.99	81.75			0		OUTSIDE SNAP	
GU 1020	2	26.99	55.59			0		INSIDE SNAP	
GU 1100	1	26.99	74.60			1		OUTSIDE SNAP	
GU 1100L	1	26.99	74.60			0		OUTSIDE SNAP	
GU 1210	1	26.99	61.95			2		OUTSIDE SNAP	
GU 1210L	1	26.99	61.95			0		OUTSIDE SNAP	
GU 1550	1	34.92	126.10			1		OUTSIDE SNAP	
GU 1600	1	23.00	58.20			3		OUTSIDE SNAP	
GU 1650	1	22.03	58.80			2		OUTSIDE SNAP	
GU 1660	1	22.03	58.80			2		OUTSIDE SNAP	
GU 1670	10	24.06	62.40			0		STAKED TYPE	
GU 1700	1	22.00	55.60			3		OUTSIDE SNAP	
GU 1700L	1	22.00	55.60			0		OUTSIDE SNAP	
GU 1710	2	24.00	44.00			2		INSIDE SNAP	
GU 1720	2	28.00	48.00			1		INSIDE SNAP	
GU 1730	1	23.82	62.40			3		OUTSIDE SNAP	
GU 1740	2	31.00	48.10			0		INSIDE SNAP	
GU 1760	10	22.06	67.00			0		STAKED TYPE	
GU 1770	10	22.06	64.00			0		STAKED TYPE	
GU 2000	1	30.18	106.30			1		OUTSIDE SNAP	
GU 2000L	1	30.18	106.30			0		OUTSIDE SNAP	
GU 2010	1	32.00	106.30			1		OUTSIDE SNAP	
GU 2050	1	30.18	106.30			1		OUTSIDE SNAP	
GU 2050L	1	30.18	106.30			0		OUTSIDE SNAP	
GU 2200	1	30.18	92.05			1		OUTSIDE SNAP	
GU 2200L	1	30.18	92.05			0		OUTSIDE SNAP	
GU 2210	2	30.18	64.91			1		INSIDE SNAP	
GU 2300	1	34.92	106.30			1		OUTSIDE SNAP	
GU 2500	2	31.25	50.05			3		INSIDE SNAP	
GU 2560	2	30.00	60.00			1		INSIDE SNAP	
GU 2600	2	31.25	75.40			1		INSIDE SNAP	
Part Number	Figure No.	a	b	c	d	Notes	Bearing Type	Description	Spicer Part Number

GU 2770	6	29.03	74.85			1			
GU 2800	6	29.03	104.50			1			
GU 2970	10	24.06	78.40			0		STAKED TYPE	
GU 3000	4	39.69	115.95			1			
GU 3500	1	39.69	115.95			1		OUTSIDE SNAP	
GU 3500L	1	39.69	115.95			0		OUTSIDE SNAP	
GU 3800	5	44.04	126.00			1		TRIANGLE PLATE	
GU 3810	5	50.00	152.60			3		TRIANGLE PLATE	
GU 3820	5	50.00	152.60			3		TRIANGLE PLATE	
GU 3840	1	44.00	149.00			1		OUTSIDE SNAP	
GU 3850	1	39.00	127.00			1		OUTSIDE SNAP	
GU 3860	1	50.00	164.00			1		OUTSIDE SNAP	
GU 3870	1	44.00	149.00			1		OUTSIDE SNAP	
GU 3880	1	50.00	164.00			1		OUTSIDE SNAP	
GU 4000	4	47.62	134.90			1		WELDED PLATE	
GU 4010	4	49.00	135.00			1		WELDED PLATE	
GU 5000	4	49.20	154.74			1		WELDED PLATE	
GU 5010	4	49.00	154.96			1		WELDED PLATE	
GU 5950	2	25.40	39.60			2		INSIDE SNAP	
GU 5950L	2	25.40	39.60			0		INSIDE SNAP	
GU 5960	8	25.40	43.60	65.00	33.34	2			
GU 5970	8	25.40	43.60	72.50	33.34	2			
GU 5970L	8	25.40	43.60	72.50	33.34	0			
GU 6010	7		33.32	79.35		0		WING	
GU 6100	8	25.40	59.55	79.28	33.34	1			
GU 6200	2	25.40	55.55			1		INSIDE SNAP	
GU 7000	2	28.00	42.00			3		INSIDE SNAP	
GU 7010	2	24.00	34.40			2		INSIDE SNAP	
GU 7010L	2	24.00	34.40			0		INSIDE SNAP	
GU 7020	2	29.00	51.90			0		INSIDE SNAP	
GU 7050	1	28.98	64.00			0		OUTSIDE SNAP	
GU 7060	1	28.98	64.00		75.46	0		OUTSIDE SNAP	
GU 7100	8	25.40	43.60	65.00	33.00	2			
GU 7100L	8	25.40	43.60	65.00	33.00	0			
GU 7150	2	25.40	38.80			2		INSIDE SNAP	
GU 7200	2	34.00	51.30			3		INSIDE SNAP	
GU 7280	2	28.00	49.00			1		INSIDE SNAP	
GU 7280/3	2	28.00	49.00			0		INSIDE SNAP	
GU 7280/4	10	24.06	74.40			0		STAKED TYPE	
GU 7290	2	29.52	51.60			0		INSIDE SNAP	
GU 7300	2	38.00	56.00			3		INSIDE SNAP	
GU 7390	1	50.00	153.80			3		OUTSIDE SNAP	
GU 7410	1	26.00	69.80			3		OUTSIDE SNAP	
GU 7410L	1	26.00	69.80			0		OUTSIDE SNAP	
GU 7420	1	30.00	81.70			3		OUTSIDE SNAP	
GU 7430	1	35.00	96.80			0		OUTSIDE SNAP	
GU 7440	1	38.00	106.10			3		OUTSIDE SNAP	
Part Number	Figure No.	a	b	c	d	Notes	Bearing Type	Description	Spicer Part Number

GU 7460	1	44.00	124.85			5		OUTSIDE SNAP	
GU 7470	2	42.00	66.00			3		INSIDE SNAP	
GU 7490	1	45.04	118.10			3		OUTSIDE SNAP	
GU 7530	1	45.04	120.40			3		OUTSIDE SNAP	
GU 7540	1	45.05	121.60			3		OUTSIDE SNAP	
GU 7560	1	52.05	133.00			3		OUTSIDE SNAP	
GU 7590	1	52.00	133.00			3		OUTSIDE SNAP	
GU 7610	1	53.00	135.00			3		OUTSIDE SNAP	
GU 7630	1	57.00	152.00			3		OUTSIDE SNAP	
GU 7800	1	22.00	59.00			3		OUTSIDE SNAP	
GU 7800L	1	22.00	59.00			0		OUTSIDE SNAP	
GU 7900	2	26.01	45.20			3		INSIDE SNAP	
GU 8100	1	47.00	131.10			3		OUTSIDE SNAP	
GU 8110	1	50.00	131.00			3		OUTSIDE SNAP	
GU 8130	1	57.00	144.00			3		OUTSIDE SNAP	
GU 9010	1	19.02	47.80			3		OUTSIDE SNAP	
STEERING JOINT									
ST 1538	10	15.05	38.00			0		STAKED TYPE	
ST 1539	10	15.05	39.00			0		STAKED TYPE	
ST 1540	10	15.05	40.00			0		STAKED TYPE	
ST 1638	10	16.05	38.00			0		STAKED TYPE	
ST 1639	10	16.05	39.00			0		STAKED TYPE	
ST 1640	10	16.05	40.00			0		STAKED TYPE	
ST 1948	10	19.06	48.00			0		STAKED TYPE	

Dimensions – Wing Type Design



Part Number	c	e	TYPE	SERIES	REMARKS
114-2110	33.34	59.53	4LWT	2C	
114-2116	33.34	59.53	2LWT + 2LWD	2C	Lubricated: Side
114-2117	33.34	59.53	4LWD	2C	
114-2185	33.34	59.53	2LWT + 2LWD	2C	Lubricated: Bearing Cap
114-3100	36.52	69.85	4LWT	3C	
114-3103	36.52	69.85	4LWD	3C	
114-3101	36.52	69.85	2LWT + 2LWD	3C	
114-4100	36.52	87.32	4LWT	4C	
114-4103	36.52	87.32	2LWT + 2LWD	4C	
114-4105	36.52	87.32	4LWD	4C	
114-4110	36.52	87.32	2LWT + 2HWD	4C	
114-4113	36.52	87.32	4HWD	4C	
114-5122	42.85	88.90	4LWT	5C	
114-5127	42.85	88.90	2LWT + 2LWD	5C	
114-5148	42.85	88.90	4LWD	5C	
114-5177	42.85	88.90	4HWD	5C	
114-6143	42.85	114.30	4LWT	6C	
114-6104	42.85	114.30	4LWD	6C	
114-6114	42.85	114.30	2LWT + 2HWD	6C	
114-6128	42.85	114.30	4HWD	6C	
114-6103	42.85	114.30	2LWT + 2LWD	6C	
114-7205	49.22	117.60	4LWT	7C	
114-7208	49.22	117.60	4LWD	7C	
114-7209	49.22	117.60	2LWD + 2HWD	7C	
114-7126	49.22	117.60	4HWD	7C	
114-7206	49.22	117.60	2LWT + 2LWD	7C	
114-7207	49.22	117.60	2LWT + 2HWD	7C	
114-8205	49.22	174.63	4LWT	8C	
114-8206	49.22	174.63	2LWT + 2LWD	8C	
114-8113	49.22	174.63	4HWD	8C	
114-8207	49.22	174.63	2LWT + 2HWD	8C	
114-8514	71.44	123.83	4LWT	8.5C	

Part Number	c	e	TYPE	SERIES	REMARKS
114-8516	71.44	123.83	4HWD	8.5C	
114-8508	71.44	123.83	2LWT + 2HWD	8.5C	
114-9014	71.44	168.30	4LWT	9C	
114-9015	71.44	168.30	4LWD	9C	
114-9016	71.44	168.30	4HWD	9C	
114-9026	71.44	168.30	2LWT + 2LWD	9C	
114-9017	71.44	168.30	2LWT + 2HWD	9C	
114-10003	92.07	165.10	4HWD	10C	14.27mm Cap Screws
114-10007	92.07	165.10	4LWD	10C	
114-10011	92.07	165.10	4HWD	10C	15.88mm Cap Screws

Interchange List

OEM Number	NIS Reference Number	Vehicle
0114-25-180	GUMZ 1	MAZDA
0136-25-002	GUMZ 1	MAZDA
0136-25-060	GUMZ 1	MAZDA
0153-25-060	GUMZ 3	MAZDA
0164-25-060	GUMZ 3	MAZDA
0164-89-251	GUMZ 3	MAZDA
01757-25-060	GUMZ 9	MAZDA
0180-25-060	GUMZ 2	MAZDA
0180-89-251	GUMZ 2	MAZDA
0187-89-251	GUMZ 1	MAZDA
0187-99-250	GUMZ 1	MAZDA
0259-25-060	GUMZ 7	MAZDA
0259-89-251	GUMZ 7	MAZDA
04037-4001	GUH 61	HINO
04037-4003	GUH 62	HINO
04037-4004	GUH 61	HINO
04037-4005	GUH 62	HINO
04037-4008	GUH 68	HINO
04037-4010	GUH 74	HINO
04037-4011	GUH 68	HINO
04037-4033	GUH 75	HINO
04371-04010	GUT 25	TOYOTA
04371-10010	GUT 11	TOYOTA
04371-10011	GUT 11	TOYOTA
04371-13020	GUT 24	TOYOTA
04371-20010	GUT 13	TOYOTA
04371-22010	GUT 13	TOYOTA
04371-25010	GUT 12	TOYOTA
04371-30010	GUT 12	TOYOTA
04371-30011	GUT 12	TOYOTA
04371-30020	GUT 17	TOYOTA
04371-30021	GUT 17	TOYOTA
04371-30040	GUT 17	TOYOTA
04371-35020	GUT 21	TOYOTA
04371-35021	GUT 21	TOYOTA
04371-35030	GUT 23	TOYOTA
04371-35031	GUT 23	TOYOTA
04371-36010	GUT 14	TOYOTA
04371-36011	GUT 14	TOYOTA
04371-36020	GUT 20	TOYOTA

OEM Number	NIS Reference Number	Vehicle
04371-36021	GUT 20	TOYOTA
04371-36030	GUT 20	TOYOTA
04371-36034	GUT 20	TOYOTA
04371-40010	GUT 14	TOYOTA
04371-55010	GUT 15	TOYOTA
04371-55011	GUT 15	TOYOTA
04371-55020	GUT 16	TOYOTA
04371-55021	GUT 22	TOYOTA
04371-55030	GUT 16	TOYOTA
04371-55031	GUT 22	TOYOTA
04371-60010	GUT 14	TOYOTA
04371-87301	GUD 84	DAIHATSU
04371-87302	GUD 85	DAIHATSU
04371-87303	GUD 87	DAIHATSU
04371-87304	GUD 89	DAIHATSU
04371-87305	GUD 85	DAIHATSU
04371-87501	GUD 86	DAIHATSU
04371-87502	GUD 86	DAIHATSU
04371-87503	GUD 88	DAIHATSU
04371-87504	GUD 81	DAIHATSU
04371-87505	GUD 88	DAIHATSU
04371-87506	GUD 81	DAIHATSU
0604-25-060	GUMZ 6	MAZDA
0604-89-251	GUMZ 6	MAZDA
0604-89-251A	GUMZ 6	MAZDA
0604-99-250	GUMZ 6	MAZDA
0706-89-251	GUMZ 6	MAZDA
0727-25-060	GUMZ 8	MAZDA
0727-89-251	GUMZ 8	MAZDA
0727-89-251A	GUMZ 8	MAZDA
12001-04100	GUM 71	MITSUBISHI
12001-05000	GUM 71	MITSUBISHI
12001-05001	GUM 71	MITSUBISHI
12001-06000	GUM 80	MITSUBISHI
12001-06010	GUM 80	MITSUBISHI
12001-06011	GUM 80	MITSUBISHI
12001-07000	GUM 83	MITSUBISHI
12001-10001	GUM 83	MITSUBISHI
12019-10001	GUM 83	MITSUBISHI
13001-15400	GUM 76	MITSUBISHI
13018-21200	GUM 76	MITSUBISHI
13501-11010	GUM 82	MITSUBISHI

OEM Number	NIS Reference Number	Vehicle
13518-22000	GUM 72	MITSUBISHI
1-37300-004-0	GUIS 65	ISUZU
1-37300-010-0	GUIS 55	ISUZU
1-37300-011-0	GUIS 58	ISUZU
1-37300-013-0	GUIS 62	ISUZU
1-37300-014-0	GUIS 62	ISUZU
1-37300-018-0	GUIS 55	ISUZU
1-37300-019-0	GUIS 65	ISUZU
1-37300-020-0	GUIS 65	ISUZU
1-37300-026-0	GUIS 55	ISUZU
1-37300-029-0	GUIS 55	ISUZU
1-37300-030-0	GUIS 65	ISUZU
1-37300-035-0	GUIS 65	ISUZU
1-37300-042-0	GUIS 57	ISUZU
1-37300-043-0	GUIS 57	ISUZU
1-37300-043-1	GUIS 57	ISUZU
1-37300-045-0	GUIS 57	ISUZU
1-37300-046-0	GUIS 57	ISUZU
1-37300-047-0	GUIS 64	ISUZU
1-37300-047-1	GUIS 64	ISUZU
1-37300-047-2	GUIS 64	ISUZU
1-37300-049-0	GUIS 67	ISUZU
1-37300-053-0	GUIS 62	ISUZU
1-37300-056-0	GUIS 55	ISUZU
1-37300-058-0	GUIS 62	ISUZU
1-37300-064-0	GUIS 60	ISUZU
1-37300-065-0	GUIS 57	ISUZU
1-37300-066-0	GUIS 55	ISUZU
1-37300-067-0	GUIS 55	ISUZU
1-37300-068-0	GUIS 55	ISUZU
1-37300-069-0	GUIS 72	ISUZU
1-37300-071-0	GUIS 55	ISUZU
1-37300-074-0	GUIS 67	ISUZU
1-37300-075-0	GUIS 68	ISUZU
1-37300-076-0	GUIS 55	ISUZU
1-37300-079-0	GUIS 67	ISUZU
1-37300-082-0	GUIS 68	ISUZU
1-37300-088-0	GUIS 55	ISUZU
1-37300-102-0	GUIS 72	ISUZU
1-44130-124-0	GUIS 59	ISUZU
1-44135-023-0	GUIS 59	ISUZU
1-44135-030-0	GUIS 59	ISUZU

OEM Number	NIS Reference Number	Vehicle
1-44135-030-1	GUIS 59	ISUZU
1-44135-043-0	GUIS 59	ISUZU
1-44135-045-0	GUIS 59	ISUZU
1-44135-063-0	GUIS 59	ISUZU
1-44135-064-0	GUIS 59	ISUZU
1-44135-065-0	GUIS 59	ISUZU
1-44135-073-0	GUIS 59	ISUZU
1-44135-073-1	GUIS 59	ISUZU
1-44135-081-0	GUIS 59	ISUZU
1-44135-098-0	GUIS 59	ISUZU
1-44135-163-0	GUIS 59	ISUZU
14501-23100	GUM 71	MITSUBISHI
14501-23101	GUM 71	MITSUBISHI
14501-27000	GUM 71	MITSUBISHI
14801-06000	GUM 90	MITSUBISHI
14801-06001	GUM 90	MITSUBISHI
1757-89-251	GUMZ 9	MAZDA
18433-10020	GUM 84	MITSUBISHI
18433-51700	GUM 84	MITSUBISHI
202157A	GUM 78	MITSUBISHI
2158-25-060	GUMZ 7	MAZDA
2158-89-251	GUMZ 7	MAZDA
2301-3407-01	GUH 62	HINO
2-301-3407-03	GUH 62	HINO
23020-4101	GUN 36	NISSAN
23020-65109	GUN 36	NISSAN
2525-25-060	GUMZ 6	MAZDA
2611-4120	GUD 86	DAIHATSU
27100-6700	GUS 2	SUZUKI
27100-72100	GUS 6	SUZUKI
27200-52011	GUS 1	SUZUKI
27200-52040	GUS 1	SUZUKI
27200-52857	GUS 1	SUZUKI
27200-58041	GUS 1	SUZUKI
27200-58042	GUS 1	SUZUKI
27200-58043	GUS 1	SUZUKI
27200-58833	GUS 1	SUZUKI
27200-60511	GUS 6	SUZUKI
27200-60512	GUS 6	SUZUKI
27200-60810	GUS 7	SUZUKI
27200-60811	GUS 7	SUZUKI
27200-73810	GUS 1	SUZUKI

OEM Number	NIS Reference Number	Vehicle
27200-73811	GUS 1	SUZUKI
27200-73813	GUS 1	SUZUKI
27200-83000	GUS 7	SUZUKI
27200-83010	GUS 7	SUZUKI
27200-83810	GUS 7	SUZUKI
27200-83811	GUS 7	SUZUKI
27200-83812	GUS 7	SUZUKI
27201-58833	GUS 1	SUZUKI
2813-3402-01	GUH 61	HINO
3-301-3403-01	GUH 67	HINO
3-302-3403-01	GUH 62	HINO
3-302-3403-05	GUH 62	HINO
3-302-3403-06	GUH 62	HINO
3-302-3404-05	GUH 64	HINO
3-310-3403-01	GUH 63	HINO
3-331-3403-01	GUH 63	HINO
34126-Z2002	GUN 49	NISSAN
3-445-3403-02	GUH 63	HINO
3-445-3403-04	GUH 65	HINO
3-445-3403-05	GUH 65	HINO
3-445-6490-12	GUH 69	HINO
3-445-6490-15	GUH 69	HINO
37000-H8500	GUN 45	NISSAN
37124-P3000	GUN 27	NISSAN
37125-01G25	GUN 46	NISSAN
37125-01J25	GUN 35	NISSAN
37125-11975	GUN 26	NISSAN
37125-14600	GUN 27	NISSAN
37125-14601	GUN 27	NISSAN
37125-14625	GUN 27	NISSAN
37125-14626	GUN 27	NISSAN
37125-14627	GUN 27	NISSAN
37125-18000	GUN 28	NISSAN
37125-18025	GUN 28	NISSAN
37125-25000	GUN 47	NISSAN
37125-25020	GUN 47	NISSAN
37125-25025	GUN 47	NISSAN
37125-44025	GUN 30	NISSAN
37125-49W25	GUN 27	NISSAN
37125-49W26	GUN 27	NISSAN
37125-50000	GUN 31	NISSAN
37125-50001	GUN 31	NISSAN

OEM Number	NIS Reference Number	Vehicle
37125-58000	GUN 32	NISSAN
37125-58001	GUN 32	NISSAN
37125-58025	GUN 32	NISSAN
37125-58026	GUN 32	NISSAN
37125-76000	GUN 34	NISSAN
37125-76001	GUN 34	NISSAN
37125-76025	GUN 34	NISSAN
37125-7F025	GUN 48	NISSAN
37125-84500	GUN 36	NISSAN
37125-85425	GUN 30	NISSAN
37125-85460	GUN 30	NISSAN
37125-85461	GUN 30	NISSAN
37125-90027	GUN 43	NISSAN
37125-90028	GUN 33	NISSAN
37125-90029	GUN 43	NISSAN
37125-90128	GUN 41	NISSAN
37125-90425	GUN 43	NISSAN
37125-90426	GUN 41	NISSAN
37125-99901	GUN 33	NISSAN
37125-H1025	GUN 28	NISSAN
37125-H5000	GUN 28	NISSAN
37125-J2025	GUN 34	NISSAN
37125-J2027	GUN 34	NISSAN
37125-P3000	GUN 27	NISSAN
37125-T9425	GUN 32	NISSAN
37125-Z9025	GUN 32	NISSAN
37125-Z9028	GUN 32	NISSAN
37125-Z9029	GUN 32	NISSAN
37126-01G25	GUN 46	NISSAN
37126-11975	GUN 26	NISSAN
37126-44000	GUN 30	NISSAN
37126-49W26	GUN 27	NISSAN
37126-58000	GUN 32	NISSAN
37126-85460	GUN 30	NISSAN
37126-C9425	GUN 29	NISSAN
37130-14600	GUN 27	NISSAN
37130-14601	GUN 27	NISSAN
37130-18000	GUN 28	NISSAN
37201-23001-71	GUT 26	TOYOTA
37400-1010	GUH 67	HINO
37400-1011	GUH 67	HINO
37400-1110	GUH 65	HINO

OEM Number	NIS Reference Number	Vehicle
37400-1120	GUH 62	HINO
37400-1130	GUH 63	HINO
37401-1010	GUH 71	HINO
37401-1021	GUH 73	HINO
37401-1060	GUH 70	HINO
37401-1061	GUH 70	HINO
37401-1080	GUH 70	HINO
37401-1080	GUH 71	HINO
37401-1080	GUH 72	HINO
37401-1081	GUH 70	HINO
37401-1081	GUH 71	HINO
37401-1081	GUH 72	HINO
37401-1100	GUH 74	HINO
37401-1180	GUH 75	HINO
37411-10010	GUT 11	TOYOTA
37411-10010	GUT 11	TOYOTA
37411-10011	GUT 11	TOYOTA
37411-1020	GUH 62	HINO
37411-1070	GUH 61	HINO
37411-1140	GUH 64	HINO
37411-20010	GUT 13	TOYOTA
37411-30020	GUT 12	TOYOTA
37411-55010	GUT 15	TOYOTA
37411-55020	GUT 16	TOYOTA
37411-59020	GUT 15	TOYOTA
37411-60010	GUT 14	TOYOTA
37411-60020	GUT 14	TOYOTA
3919-25-060	GUMZ 10	MAZDA
3919-89-251	GUMZ 10	MAZDA
39625-21000	GUN 29	NISSAN
39625-21001	GUN 29	NISSAN
39625-21002	GUN 29	NISSAN
39625-21003	GUN 29	NISSAN
39625-21004	GUN 29	NISSAN
39625-21005	GUN 29	NISSAN
39625-21006	GUN 29	NISSAN
39625-21025	GUN 29	NISSAN
39625-21026	GUN 29	NISSAN
39625-21029	GUN 29	NISSAN
39625-N3725	GUN 29	NISSAN
39625-N4124	GUN 29	NISSAN
39625-N4125	GUN 29	NISSAN

OEM Number	NIS Reference Number	Vehicle
39625-N4126	GUN 29	NISSAN
39625-U0125	GUN 29	NISSAN
39625-U0127	GUN 29	NISSAN
39625-U2125	GUN 29	NISSAN
39625-U3825	GUN 29	NISSAN
39626-21029	GUN 29	NISSAN
40150-567-003	GUHO 2	HONDA
40410-567-013	GUHO 2	HONDA
4123-4120	GUD 83	DAIHATSU
4141-4120	GUD 81	DAIHATSU
44330-538-004	GUHO 3	HONDA
45220-1050	GUH 66	HINO
45220-1060	GUH 69	HINO
45220-1070	GUH 66	HINO
4610-4120	GUD 82	DAIHATSU
48155-90000	GUN 44	NISSAN
48155-99000	GUN 44	NISSAN
48155-Z9003	GUN 44	NISSAN
5-37300-008-0	GUIS 61	ISUZU
5-37300-019-0	GUIS 56	ISUZU
5-37300-025-0	GUIS 61	ISUZU
5-37300-029-0	GUIS 51	ISUZU
5-37300-031-0	GUIS 61	ISUZU
5-37300-032-0	GUIS 66	ISUZU
5-37300-609-0	GUIS 61	ISUZU
6041-4109-00	GUH 66	HINO
6041-8409-00	GUH 66	HINO
6220-32000	GUSR 4	SUBARU
6232-43000	GUSR 3	SUBARU
6234-00020	GUSR 2	SUBARU
64371-10900	GUM 95	MITSUBISHI
8-94155-632-0	GUIS 52	ISUZU
8-94203-821-1	GUIS 63	ISUZU
8-94207-232-0	GUIS 63	ISUZU
8-94207-232-1	GUIS 63	ISUZU
8-94238-930-0	GUIS 52	ISUZU
8-94238-930-1	GUIS 71	ISUZU
8-94332-683-0	GUIS 52	ISUZU
8-94332-683-1	GUIS 71	ISUZU
8-94335-588-0	GUIS 56	ISUZU
8-94335-589-0	GUIS 52	ISUZU
8-94366-182-0	GUIS 71	ISUZU

OEM Number	NIS Reference Number	Vehicle
8-94373-153-0	GUIS 52	ISUZU
8-94373-153-2	GUIS 52	ISUZU
8-94376-373-0	GUIS 66	ISUZU
8-94415-226-0	GUIS 71	ISUZU
8-94479-053-0	GUIS 51	ISUZU
8-94479-054-0	GUIS 71	ISUZU
8-97020-279-0	GUIS 69	ISUZU
8-97029-526-0	GUIS 71	ISUZU
8-97029-526-1	GUIS 71	ISUZU
8-97071-811-0	GUIS 70	ISUZU
8-97071-812-0	GUIS 52	ISUZU
8-97080-505-0	GUIS 66	ISUZU
8-97080-879-0	GUIS 70	ISUZU
8-97080-879-1	GUIS 70	ISUZU
8-97180-679-0	GUIS 71	ISUZU
8-97180-996-0	GUIS 71	ISUZU
8-97211-133-0	GUIS 71	ISUZU
8BB1-25-060	GUMZ 7	MAZDA
8BS1-25-060	GUMZ 9	MAZDA
8BS2-25-060	GUMZ 6	MAZDA
8BS2-25-060A	GUMZ 6	MAZDA
8BW1-25-060	GUMZ 6	MAZDA
8BW1-25-065	GUMZ 6	MAZDA
91271-08200	GUM 95	MITSUBISHI
9-37300-004-0	GUIS 55	ISUZU
9-37300-007-0	GUIS 55	ISUZU
9-37300-016-0	GUIS 58	ISUZU
9-37300-017-0	GUIS 51	ISUZU
9-37300-019-0	GUIS 51	ISUZU
9-37300-029-0	GUIS 55	ISUZU
9-37300-031-0	GUIS 56	ISUZU
9-37300-035-0	GUIS 52	ISUZU
9-37300-036-0	GUIS 52	ISUZU
9-37300-055-0	GUIS 58	ISUZU
9-37300-056-0	GUIS 55	ISUZU
9-37300-065-0	GUIS 52	ISUZU
9-37300-070-0	GUIS 55	ISUZU
9-37300-088-0	GUIS 55	ISUZU
9-37300-091-0	GUIS 56	ISUZU
9-37300-092-0	GUIS 56	ISUZU
9-37300-095-0	GUIS 55	ISUZU
9-37300-096-0	GUIS 54	ISUZU

OEM Number	NIS Reference Number	Vehicle
9-37300-109-0	GUIS 52	ISUZU
9-37300-112-0	GUIS 54	ISUZU
9-37300-122-0	GUIS 58	ISUZU
9-37300-136-0	GUIS 57	ISUZU
9-37300-136-1	GUIS 57	ISUZU
9-37300-139-0	GUIS 60	ISUZU
9-37300-150-0	GUIS 55	ISUZU
9-37300-160-0	GUIS 57	ISUZU
9-37300-163-0	GUIS 57	ISUZU
9-37300-601-0	GUIS 52	ISUZU
9-37300-603-0	GUIS 52	ISUZU
9-37300-605-0	GUIS 51	ISUZU
9-37300-609-0	GUIS 51	ISUZU
9-37310-013-0	GUIS 54	ISUZU
9-37311-005-0	GUIS 58	ISUZU
9-37311-013-0	GUIS 58	ISUZU
94021281	GUIS 56	ISUZU
94024511	GUIS 61	ISUZU
94027724	GUIS 61	ISUZU
94027819	GUIS 52	ISUZU
9-44130-224-0	GUIS 59	ISUZU
9-44135-052-0	GUIS 59	ISUZU
9-44135-060-0	GUIS 59	ISUZU
9-44135-076-0	GUIS 59	ISUZU
9-44135-077-0	GUIS 59	ISUZU
9-44135-226-0	GUIS 52	ISUZU
9-85582-805-0	GUIS 51	ISUZU
9-953-3401-01	GUH 61	HINO
9-953-3401-15	GUH 62	HINO
9-97300-035-0	GUIS 52	ISUZU
A-126433	GUM 79	MINI
AK250-6203S	GUHO 2	HONDA
D27Z-4758A	GUMZ 6	MAZDA
FA60-37412A	GUT 15	TOYOTA
GPW-18397B	GUM 73	MINI
GPW-7043	GUM 73	MINI
J-906926	GUM 73	MINI
J-906929	GUM 73	MINI
JA-7042	GUM 73	MINI
JA-946	GUM 77	MINI
M026-25-100	GUMZ 11	MAZDA
M041-25-100	GUMZ 11	MAZDA

OEM Number	NIS Reference Number	Vehicle
M051-25-100C	GUMZ 11	MAZDA
M060-25-100C	GUMZ 11	MAZDA
M090-89-251	GUMZ 7	MAZDA
MA126433	GUM 81	MITSUBISHI
MB000119	GUM 87	MITSUBISHI
MB000154	GUM 75	MITSUBISHI
MB000159	GUM 87	MITSUBISHI
MB000267	GUM 93	MITSUBISHI
MB000300	GUM 85	MITSUBISHI
MB000345	GUM 81	MITSUBISHI
MB000390	GUM 81	MITSUBISHI
MB000391	GUM 79	MITSUBISHI
MB000392	GUM 89	MITSUBISHI
MB000393	GUM 81	MITSUBISHI
MB000692	GUM 92	MITSUBISHI
MB000697	GUM 92	MITSUBISHI
MB000776	GUM 88	MITSUBISHI
MB000823	GUM 88	MITSUBISHI
MB000824	GUM 88	MITSUBISHI
MB000826	GUM 88	MITSUBISHI
MB000827	GUM 81	MITSUBISHI
MB000948	GUM 91	MITSUBISHI
MB154261	GUM 88	MITSUBISHI
MB154554	GUM 78	MITSUBISHI
MB293417	GUM 93	MITSUBISHI
MB293425	GUM 93	MITSUBISHI
MB293448	GUM 75	MITSUBISHI
MB337951	GUM 93	MITSUBISHI
MB505372	GUM 92	MITSUBISHI
MC800270	GUM 84	MITSUBISHI
MC805777	GUM 71	MITSUBISHI
MC807620	GUM 90	MITSUBISHI
MC808668	GUM 71	MITSUBISHI
MC834855	GUM 93	MITSUBISHI
MC834856	GUM 75	MITSUBISHI
MC860190	GUM 72	MITSUBISHI
MC860230	GUM 82	MITSUBISHI
MC860285	GUM 82	MITSUBISHI
MC860288	GUM 72	MITSUBISHI
MC860288	GUM 82	MITSUBISHI
MC994294	GUM 75	MITSUBISHI
MC994820	GUM 75	MITSUBISHI

OEM Number	NIS Reference Number	Vehicle
MC998475	GUM 80	MITSUBISHI
MC998476	GUM 96	MITSUBISHI
MC998680	GUM 97	MITSUBISHI
MC999302	GUM 94	MITSUBISHI
MC999303	GUM 71	MITSUBISHI
MC999304	GUM 80	MITSUBISHI
MC999305	GUM 83	MITSUBISHI
MC999495	GUM 80	MITSUBISHI
MC999496	GUM 83	MITSUBISHI
MC999961	GUM 94	MITSUBISHI
MD000392	GUM 81	MITSUBISHI
MJ906929	GUM 73	MITSUBISHI
MR196837	GUM 81	MITSUBISHI
MR196838	GUM 91	MITSUBISHI
MR196899	GUM 81L	MITSUBISHI
MST00024	GUM 81	MITSUBISHI
MST05012	GUM 79	MITSUBISHI
MT047756	GUM 86	MITSUBISHI
MT372505	GUM 81	MITSUBISHI
N090-89-251	GUMZ 9	MAZDA
ON010-25-060A	GUMZ 9	MAZDA
P001-25-060	GUMZ 12	MAZDA
P039-25-100A	GUMZ 11	MAZDA
P051-25-100C	GUMZ 11	MAZDA
P060-25-100C	GUMZ 11	MAZDA
P092-25-100C	GUMZ 11	MAZDA
S-164-61040-0	GUDUMP 1	DUMP
S-164-61047-0	GUDUMP 2	DUMP
ST00024	GUM 79	MITSUBISHI
ST0003	GUM 78	MITSUBISHI
ST0008	GUM 77	MITSUBISHI
ST0024	GUM 79	MITSUBISHI
ST5012	GUM 79	MITSUBISHI
UP10-37412	GUT 11	TOYOTA
W001-25-060A	GUMZ 3	MAZDA
W001-25-060Y	GUMZ 3	MAZDA
W001-89-251	GUMZ 3	MAZDA
W001-89-251A	GUMZ 3	MAZDA
W24876	GUM 75	MITSUBISHI
Y001-89-251	GUMZ 8	MAZDA
Y001-89-251A	GUMZ 8	MAZDA
YK220A	GUDUMP 3	DUMP

DISCLAIMER

The detailed listings and information, as depicted within the catalog, has been researched and compiled from reliable sources, and is knowingly correct, to the best of our knowledge.

NIS® does not except any liability or responsibility for errors or omissions, or damage resulting thereafter.

WARRANTY

NIS® Universal Joint found defective in material or integrated product assembly, shall be replaced without charge, when returned with original invoice documentation.

This warranty does not include, labor or related charges in product removal and reinstallation.

No warranty applies for product, which have been incorrectly installed, or fitted to modified vehicles.